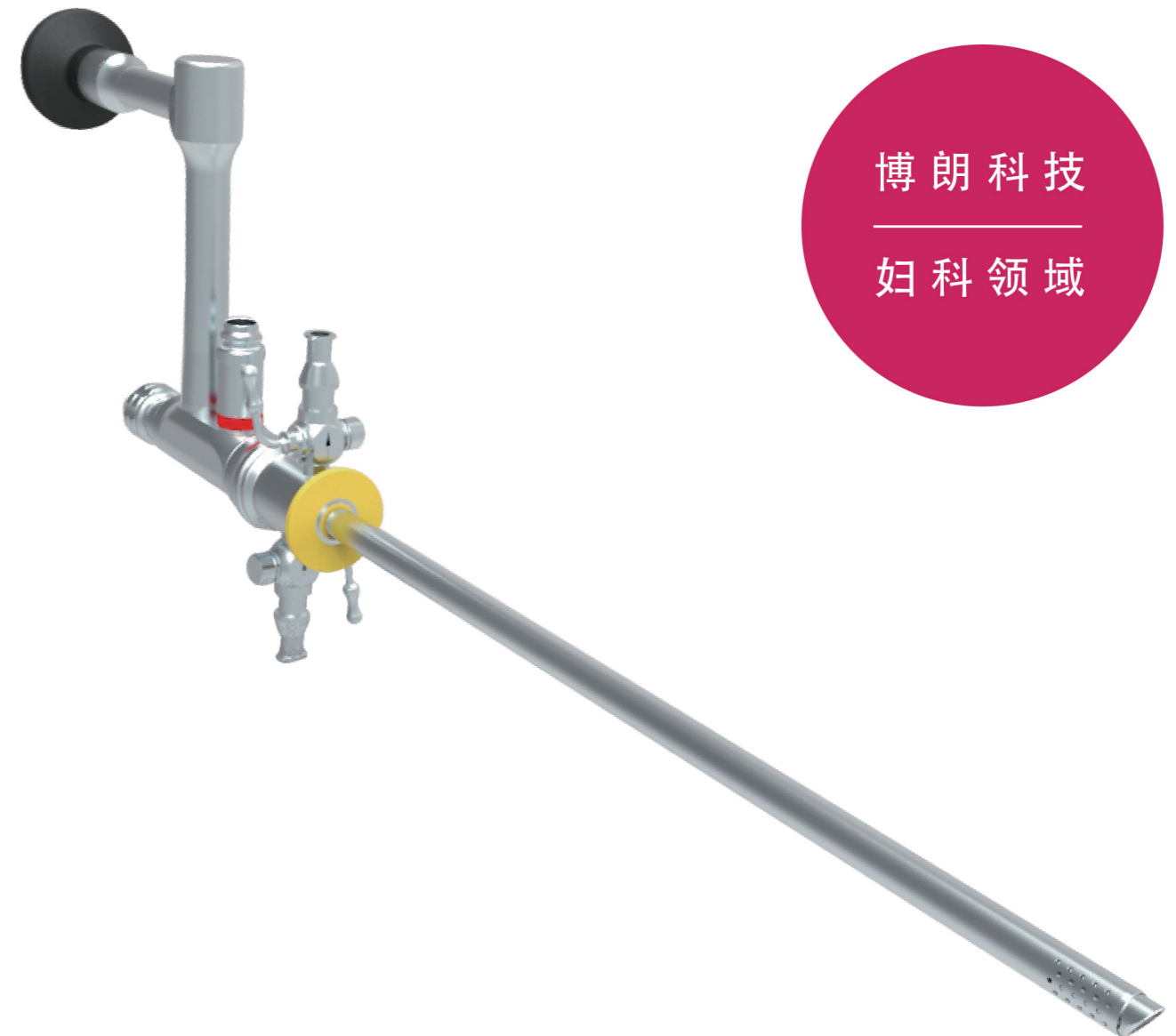


**BOLANG**  
PROFESSIONAL OPTICAL ENDOSCOPE

**GYNECOLOGY OF  
TIANJIN BOLANG**



博朗科技  
妇科领域



- | 宫腔镜
- | 硬性宫腔镜手术器械
- | 妇科相关设备

**BOLANG**  
PROFESSIONAL OPTICAL ENDOSCOPE

天津博朗科技发展有限公司

地址：天津华苑产业区海泰绿色产业基地二纬路六号D座401

邮编：300384

电话：+86-22-23788271

传真：+86-22-23788271

邮箱：info@bolangendo.com

网站：www.bolangendo.com

Tianjin Bolang Science Technology Development Co.,Ltd

Add: Rm401, Block D, Hi-tech Green Industrial Base, Xiqing District

300384 Tianjin China

Tel: +86-22-23787098

Fax: +86-22-23788271

Email: info@bolangendo.com

Web: www.bolangendo.com



# GYNECOLOGY OF TIANJIN BOLANG

**BOLANG**  
PROFESSIONAL OPTICAL ENDOSCOPE

## TECHNOLOGY CREATES THE FUTURE

细节决定品质 科技铸就未来

结合临床，了解医生所需，最大程度的减轻病人痛苦，达到客户的满意，是博朗公司一贯的宗旨。优化的设计，可靠的安全性以及方便的操作性，已成为我公司产品的显著特点，并已得到业内专家的普遍认可。

Combined with the clinical testing, understand the doctor's requests, minimize the pains of the patients, achieve all the customers' satisfaction, which are the aims of the bolang company. Optimization design, reliable safety and convenient operation, have become the significant characteristics of the Tianjin Bolang Science-Technology Development Co., Ltd. products, which has set up a general recognition in the industry experts.

# Welcome to Gynecological area of Tianjin Bolang

## 欢迎进入博朗科技妇科领域

随着妇科内窥镜影像技术突飞猛进的发展，天津博朗科技发展有限公司始终保持不断地完善影像系统，提高器械发展质量。确保产品品质，工艺，设计精益求精，使得博朗内镜系统在宫腔诊断及内镜治疗领域里成为最可信赖的设备！

With the rapid development of gynecological endoscope imaging technology, Tianjin Bolang science Technology Development Co., Ltd. Has been improving the image system, developing the quality of instrument constantly. Keep improving of the product quality, technology and design, Bolang endoscope is the most reliable in the field of intrauterine diagnosis and endoscopic therapy.

## 妇科目录

Table of Content:

### 宫腔镜

Hysteroscope:

2.7/2.9/3.0/4.0mm 硬性宫腔镜      2.7/2.9/3.0/4.0mm Hysteroscope

### 宫腔镜及手术器械

Hysteroscope Instrument:

诊断用宫腔镜鞘	Diagnostic Hysteroscope
一体式操作宫腔镜	Operative Hysteroscope -One Piece
宫腔检查镜鞘	Operative Hysteroscope Sheath -One Piece
操作用宫腔镜鞘-单旋转	Operative Hysterosocpe Sheath-Single Rotating
操作用宫腔镜鞘-非旋转	Operative Hysterosocpe Sheath- Fixed
Z型宫腔镜	Z- Type Hysteroscope
妇科腹腔镜检查术	Single Puncture Laparoscope
宫腔电切镜	Resectoscope

### 妇科相关设备

Related Devices:

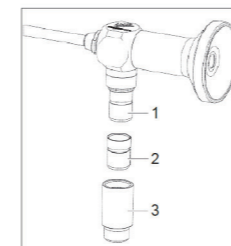
摄像机	Camera
光源	Light Source
光缆	Light Cable
气腹机	Insufflator

Hysteroscope  
宫腔镜

Hysteroscope  
Instrument

宫腔镜及手术器械

Hysteroscope  
宫腔镜



CONNECTION WITH ILLUMINATION FIBER

可通配光缆

- 1.Type ACMI
- 2.Adapter type WOLF
- 3.Adapter type Storz/Olympus



ITEM NO	DIAMETER	WORKING LENGTH	DIRECTION OF VIEW	GRADE	TO SYSTEM
序列号	直径	工作长度	视向角	等级	适用系统
GQ40300	4.0mm	301mm	0°	SD/WA	Storz/ Wolf/ Olympus
GQ40312	4.0mm	301mm	12°	SD	
GQ40325	4.0mm	301mm	25°	SD	
GQ40330	4.0mm	301mm	30°	SD/WA	
GQ40370	4.0mm	301mm	70°	SD/WA	
GQ30300	3.0mm	301mm	0°	SD/WA	
GQ30312	3.0mm	301mm	12°	SD	
GQ30330	3.0mm	301mm	30°	SD/WA	
GQ30370	3.0mm	301mm	70°	SD	
GQ29300	2.9mm	301mm	0°	SD/WA	
GQ29312	2.9mm	301mm	12°	SD	
GQ29330	2.9mm	301mm	30°	SD/WA	
GQ29370	2.9mm	301mm	70°	SD	
GQ27300	2.7mm	301mm	0°	SD/WA	
GQ27312	2.7mm	301mm	12°	SD	
GQ27330	2.7mm	301mm	30°	SD/WA	

★等级 SD: 标清 Standard / WA: 广角 Wide Angle

# Hysteroscope Instrument

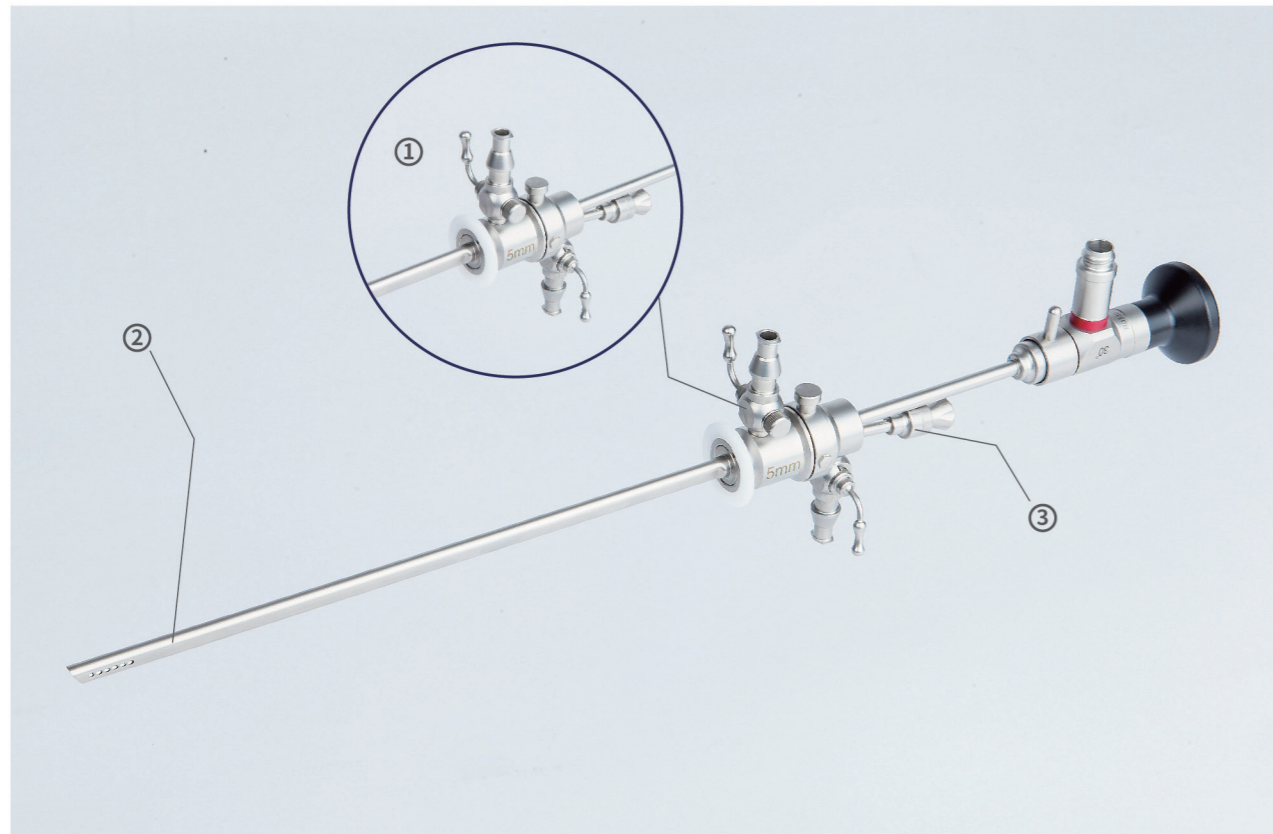
## 宫腔镜及手术器械

宫腔镜检查术通过人体天然孔道进入宫腔，创伤小，无血清晰，保留子宫；且可一览无余观察到整个宫腔状态，如有病变，可通过宫腔镜鞘的工作管道插入器械，进行刮宫术，活检或者宫腔镜手术。

Through the human body's natural cavity to enter the uterine cavity, with little trauma, no blood, no clarity, and keeping the womb. The state of the uterus cavity can also be observed at a glance. If there are lesions, Instrument could insert through the working channel of the hysteroscopic sheath to carry out curettage, biopsy or hysteroscopic surgery.

天津博朗宫腔镜具有纤细的外径，高流量特性及卓越的光学性能等特点，为您提供更多的宫腔镜选择。

Bolang hysteroscope with fine external diameter, high flow characteristics and excellent optical properties, can provide you with more options.



① 高流量特性

② 可提供医生符合宫颈形状的各种外鞘设计

③ 独特的器械通道入口设计

① High flow capacity

② Provides different external sheath designs for doctors to fit the shape of the cervix

③ Unique Working channel Design

# Diagnostic Hysteroscope

## 诊断用宫腔镜鞘

此套器械包含  
Consisting of

- 持续对流操作器
- 带有半软性器械用工作通道的可操作检查鞘（可选配置）
- 冲洗阀门
- 闭孔器
- Continuous-flow operative sheath
- Operative-examination Sheath with working Channel (option)
- Irrigation valve
- Obturator

持续对流，  
内外鞘可双向旋转360°，  
含无创末端。

Continuous-flow,  
with atraumatic distal end  
and outer sheath can  
rotate 360°

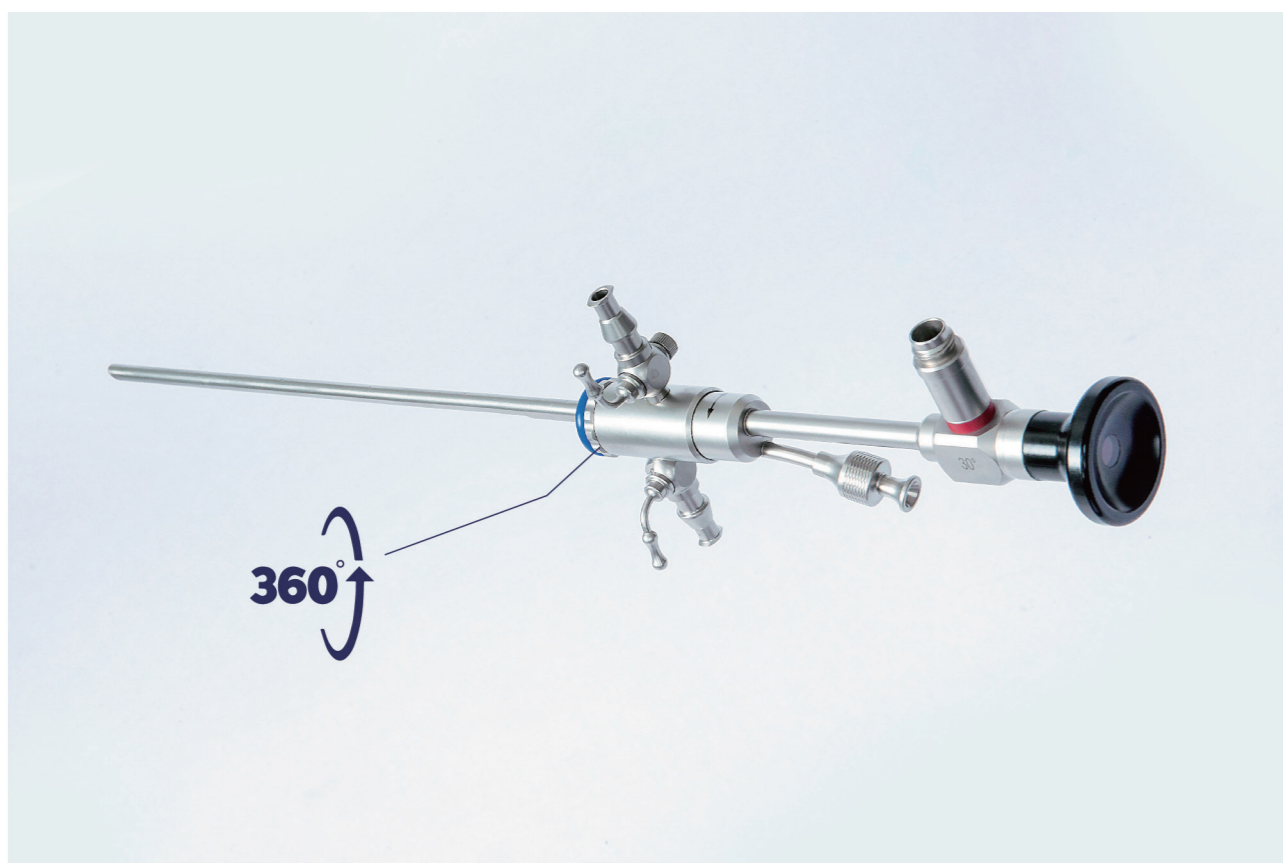


ITEM NO	OUTER TUBE SIZE/FR	APPLICATIVE ENDOSCOPE	SHEATH FORM
序列号	外部尺寸	适用的内窥镜	鞘形状
FK.GQJQ.SXZ.529	14.5Fr	2.9mm/301mm/30°	Oval 圆形
FK.GQJQ.SXZ.540	15Fr	4.0mm/301mm/30°	Oval 圆形
FK.GQJQ.SXZ.729	16Fr	2.9mm/301mm/30°	Oval 圆形
FK.GQJQ.SXZ.740	16.5Fr	4.0mm/301mm/30°	Oval 圆形

# Operative Hysteroscope- One Piece

## 一体式操作宫腔镜

- 持续对流, 含无创末端, 与内窥镜联体设计, 高流量特性
- 一体化设计, 强度更高, 更小的插入部的尺寸, 减小患者痛苦
- 医生易操作, 避免因拆卸误操作而使镜子受损等情况
- 可360°旋转, 避免宫颈口损伤, 防止水路管缠绕
- Continuous-flow, with atraumatic distal end. High flow capacity due to conjoined design with endoscope.
- Stronger roughness with integrated design ; Smaller size of insertion lessen the suffering of the patients.
- Easy to operate, avoid damage to the endoscope due to misoperation during disassembly.
- 360°rotatable, avoid the injury of cervix and prevent winding of tube.



ITEM NO	OUTER TUBE SIZE/FR	DIRECTION OF VIEW	WORKING CHANNEL/FR.	SHEATH FORM
序列号	外部尺寸	视向角	工作通道	鞘形状
GQ.YTJ155	15Fr	30°SD/WA	5Fr	Oval 椭圆形
GQ.YTJ167	16.5Fr	30°SD/WA	7Fr	Oval 椭圆形

# Operative Hysteroscope Sheath -One Piece

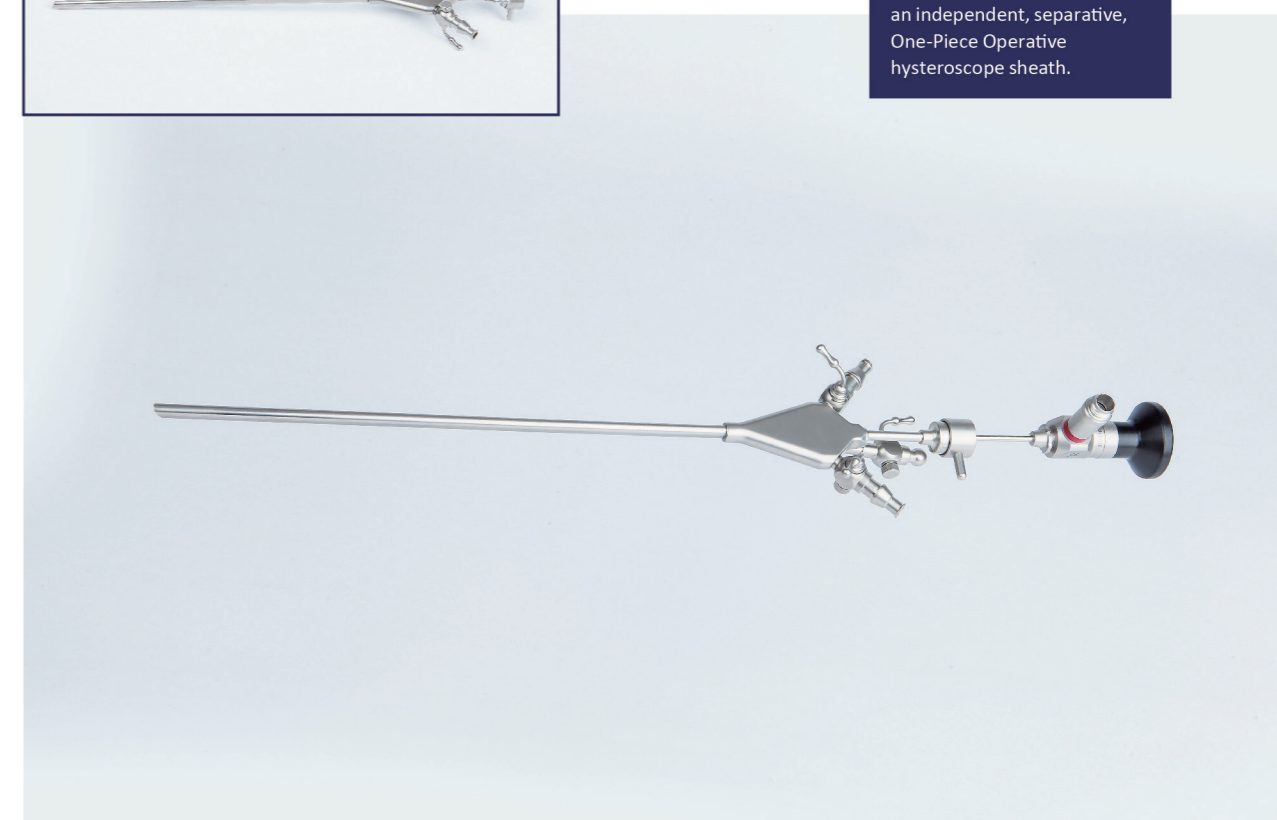
## 宫腔检查镜鞘

- 持续对流, 含无创末端, 一体式设计, 高流量特性。
- 可360°旋转, 避免宫颈口损伤, 防止水路管缠绕。(可选配置)
- Continuous-flow, with atraumatic distal end. High flow capacity due to one-piece design
- 360°rotatable, avoid the injury of cervix and prevent the winding of tube. (option)



博朗公司不仅有与内窥镜联体设计的一体式操作宫腔镜, 也可提供独立分开的一体式操作宫腔镜鞘。

Bolang not only has integrated operative design with endoscope, but also has an independent, separate, One-Piece Operative hysteroscope sheath.



ITEM NO	OUTER TUBE SIZE/FR	APPLICATIVE ENDOSCOPE	WORKING CHANNEL/FR.	SHEATH FORM
序列号	外部尺寸	适用的内窥镜	工作通道	鞘形状
FK.GQJQ.YTS.147	14.5Fr	2.7mm/301mm/30°SD/WA	7Fr	Drop-Shape 水滴形
FK.GQJQ.YTS.167	16Fr	2.9mm/301mm/30°SD/WA	7Fr	Drop-Shape 水滴形

# Operative Hysterosocpe Sheath-Single Rotating

## 操作用宫腔镜鞘 - 单旋转

# 360°

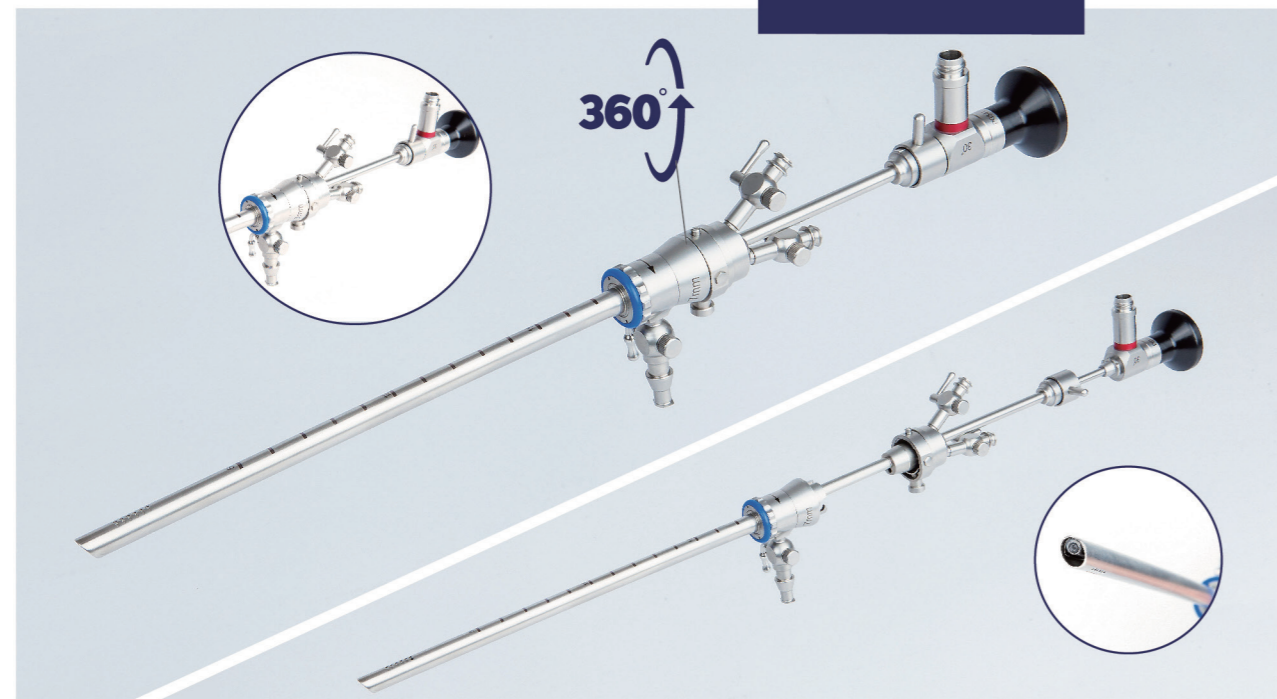
持续对流，  
含无创末端，外鞘可旋转360°

Continuous-flow, with atraumatic distal end and outer sheath can rotate 360°

此套器械包含  
Consisting of

- 持续对流操作器
- 带有半软性器械用工作通道的可操作检查鞘
- 冲洗阀门
- 闭孔器

- Continuous-flow operative sheath
- Operative-examination Sheath with working Channel
- Irrigation valve
- Obturaor



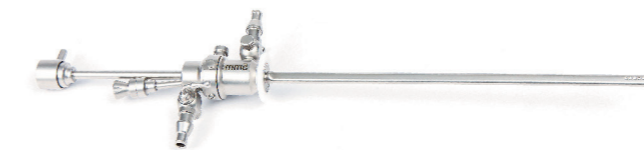
ITEM NO	OUTER TUBE SIZE/FR	APPLICATIVE ENDOSCOPE	WORKING CHANNEL/FR	SHEATH FORM
序列号	外部尺寸	适用的内窥镜	工作通道	鞘形状
FK.GQJQ.DXZ227	22Fr	4.0mm/301mm/30°SD/WA	7Fr	Ovoid 卵圆形
FK.GQJQ.DXZ145	14.5Fr	2.7mm/301mm/30°SD/WA	5Fr	Oval 椭圆形
FK.GQJQ.DXZ165	16Fr	2.9mm/301mm/30°SD/WA	5Fr	Oval 椭圆形

# Operative Hysterosocpe Sheath- Fixed

## 操作用宫腔镜鞘 - 非旋转

持续对流，含无创末端。独特的器械通道入口设计不易因勿操作而导致漏水或器械损坏

Continuous-flow, with atraumatic distal end. Unique instrument channel design prevent forceps from misoperation and avoid leakage effectively.



此套器械包含  
Consisting of

- 持续对流操作器
- 带有半软性器械用工作通道的可操作检查鞘
- 冲洗阀门

- Continuous-flow operative sheath
- Operative-examination Sheath with working Channel
- Irrigation valve



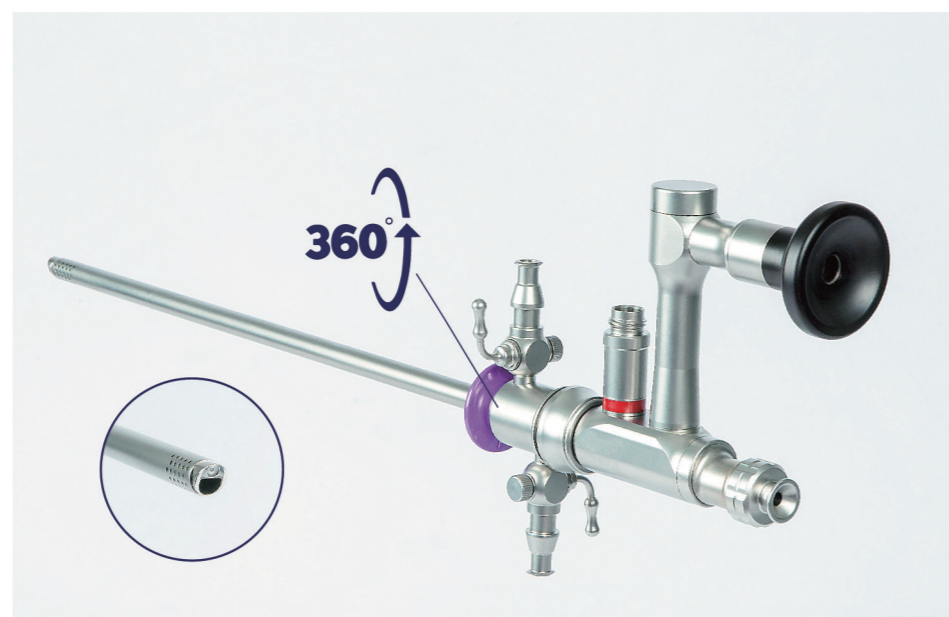
ITEM NO	OUTER TUBE SIZE/FR	APPLICATIVE ENDOSCOPE	WORKING CHANNEL/FR.	SHEATH FORM
序列号	外部尺寸	适用的内窥镜	工作通道	鞘形状
FK.GQJQ.FXZ145	14.5Fr	2.7mm/301mm/30°SD/WA	5Fr	Drop-Shape 水滴形
FK.GQJQ.FXZ165	16Fr	2.9mm/301mm/30°SD/WA	5Fr	Drop-Shape 水滴形

## Z Type Hysteroscope

### Z 型宫腔镜

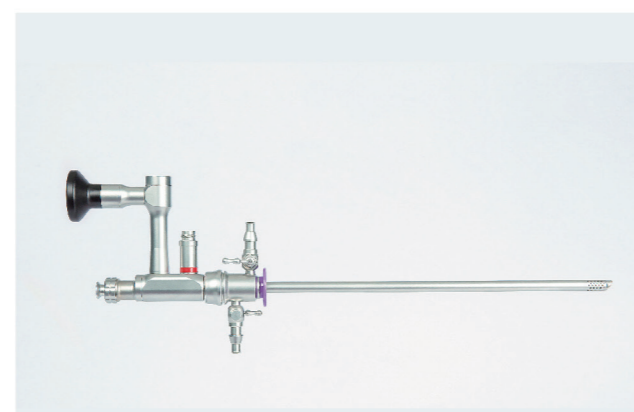
可通过平行目镜的内镜的直形工作通道引入器械

Through a straight working channel of a telescope with parallel eyepiece



- 超高清视野为医生提供良好的视觉效果
- 独特的结构设计有效防止机械损伤, 避免误操作
- 镜鞘的通用性为医生提高手术效率

- Ultra HD vision provides excellent image quality for doctors
- Unique structural design prevent mechanical damage and avoid misoperation effectively
- Universal outer sheath can effectively improve the quality and efficiency of surgery



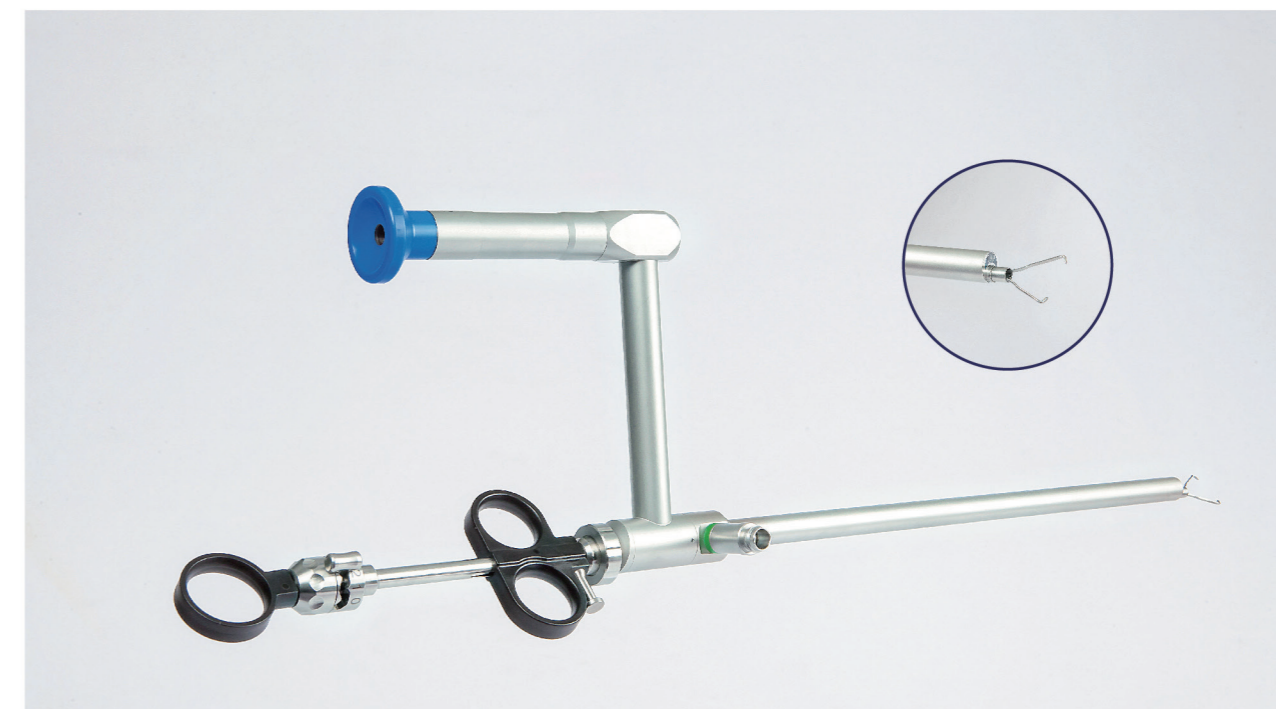
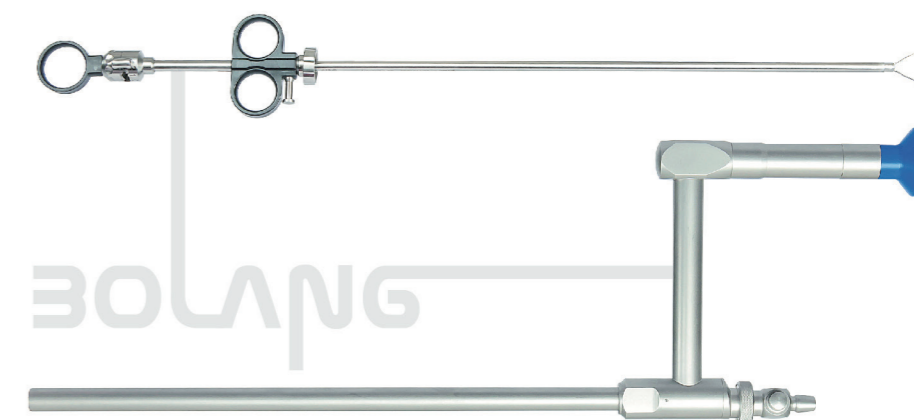
ITEM NO	OUTER TUBE SIZE/FR	DIRECTION OF VIEW	WORKING LENGTH/MM	WORKING CHANNEL/FR.
序列号	外部尺寸	视向角	工作长度	工作通道
ZJGQ26215	9mm(26Fr)	0°/12°/25° SD/WA	215	14

## Single Puncture Laparoscope

### 妇科带器械通道腹腔镜

带有鲁尔锁扣连接的  
手术用腹腔镜

Single Puncture Laparoscope  
- with HD optical design  
system to provide brilliant  
and wide angle image for the  
users

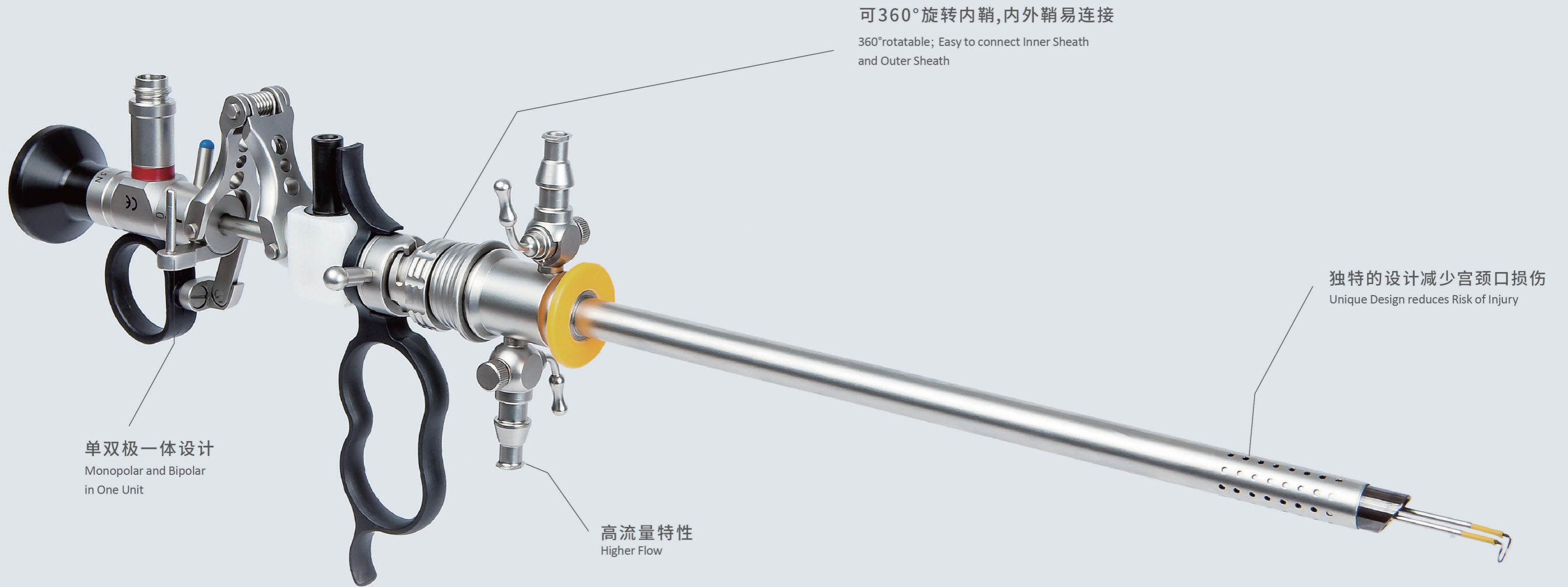


ITEM NO	OUTER TUBE SIZE/FR	DIRECTION OF VIEW	WORKING LENGTH MM	WORKING CHANNEL MM
序列号	外部尺寸	视向角	工作长度 mm	工作管道
ZJFQ.110.270.2	11mm	0° HD	270	6



# Resectoscope

## 手术内窥镜 (宫腔电切镜)



单双极一体设计  
Monopolar and Bipolar  
in One Unit

高流量特性  
Higher Flow

可360°旋转内鞘,内外鞘易连接  
360°rotatable; Easy to connect Inner Sheath  
and Outer Sheath

独特的设计减少宫颈口损伤  
Unique Design reduces Risk of Injury

相较于传统电切镜设计相比, 博朗电切镜设计既为患者降低了损伤风险, 又方便了医生的使用。

Compared with the traditional design, BOLANG resectoscope not only can reduce the risk of injury, also can provide convenience for doctors.

电切镜工作操作器

Resectoscope Working Element

PRODUCT 产品	WORKING ELEMENT 工作操作器				
	MONOPOLAR&BIPOLAR ONE UNIT 单双极一体操作器		BIPOLAR WORKING ELEMENT 双极操作器		
	COMPATIBLE WITH STORZ 与STORZ电切镜相匹配		COMPATIBLE WITH GYRUS 与佳乐电切镜相匹配		COMPATIBLE WITH STORZ AND GYRUS 通配STORZ与佳乐电切镜
	ACTIVE 主动式	PASSIVE 被动式	ACTIVE 主动式	PASSIVE 被动式	PASSIVE 被动式
REFERENCE PICTURE 参考图片					
ITEM NO. 编号	DQ.111.244 DQ.111.344	DQ.111.242 DQ.111.342	DQ.121.244 DQ.121.344	DQ.121.242 DQ.121.342	DQ.121.000

持续灌流的外鞘，  
内鞘及标准闭孔器

Continuous-flow operative sheath, inner sheath and standard obturator



ITEM NO 系列号	PRODUCT 产品	SPECIFICATION 规格	REFERENCE PICTURE 参考图片
DQ.NQ	Inner Sheath 内鞘	20Fr/21Fr/24Fr/25Fr	
DQ.WQ	Outer Sheath 外鞘	23Fr/24Fr/26Fr/27Fr	
DQ.BKQ.BZ	Standard Obturator 标准闭孔器		
DQ.BKQ.DX	Deflecting Obturator 导向闭孔器		
DQ.KSBKQ.QX	Visible Obturator 可视闭孔器	With Working Channel 带有器械通道	

ITEM NO 系列号	PRODUCT 产品	SPECIFICATION 规格	REFERENCE PICTURE 参考图片
DQ.NQS	Rotatable Irrigation Adapter - with luer connector and stopcock 内鞘适配器	When the urethra of patient is small, Inner Sheath Adapter could be: Instead of outer sheath, connect with the inner sheath directly 当病人尿道狭窄时,可使用内鞘适配器直接与内鞘连接	
PJ.JT	Water Flow Connector 水接阀	Luer-Lock Connector, with stopcock 鲁尔接头,带控制阀门	

Loop 电极环

ITEM NO. 序列号	LOOP 电切环
DQH.D.P	带状电极 Strip electrode
DQH.D.T	环状电极 Loop electrode
DQH.S.P	辊状电极 Roller electrode
DQH.S.T	滚珠电极 Rollerball electrode
DQH.JL	刀状电极 Knife electrode



# HF CABLE 高频线

单极高频线 Monopolar HF Cable



ITEM NO DQ.D.GPDX

双极高频线 Bipolar HF Cable



ITEM NO DQ.S.GPDX

# INSTRUMENT 手术器械



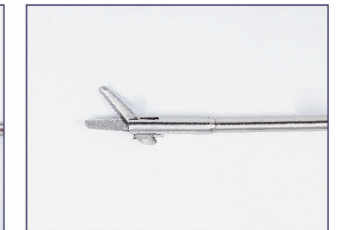
抓取钳  
Grasper Forceps



活检钳  
Biopsy Forceps



异物钳  
Foreign body Forceps



剪刀  
Scissors

序列号 ITEM NO	产品 PRODUCT	尺寸 SIZE
硬钳 RIGID FORCEPS		
FK.5RF36A	活检钳 Biopsy Forceps	5Fr*360mm
FK.5RF36B	异物钳 Foreign body Forceps	5Fr*360mm
FK.5RF36C	剪刀 Scissors	5Fr*360mm
FK.5RF36D	抓取钳 Grasper Forceps	5Fr*360mm

Related Devices

妇科相关设备

Image System

显像系统

## Camera 摄像机

NT-300HD是最新版本高清内窥镜摄像机，它能输出最清晰的画质。高分辨率且带有逐行扫描功能，可提供最清晰的细节和无与伦比的自然色彩，即使在组织中最细微的变化都可清晰分辨出来，尽可能的辅助医生提高执行微创手术的能力。

★  
此外，天津博朗还提供其他配置摄像机，详情请参阅电气设备彩页。

NT-300HD, is the latest version of in the HD endoscope cameras, delivers the clearest image quality. High resolution and progressing scan features provide the clearest detail and unparalleled natural color, even the smallest changes in the tissue can be clearly identified, as much as possible to assist the doctor to improve the ability to perform minimally invasive surgery.

Additionally, Tianjin Bolang company also provides other configuration cameras. For details, please refer to the electrical equipment catalog.



摄像头光学适配器  
Camera Optic Coupler



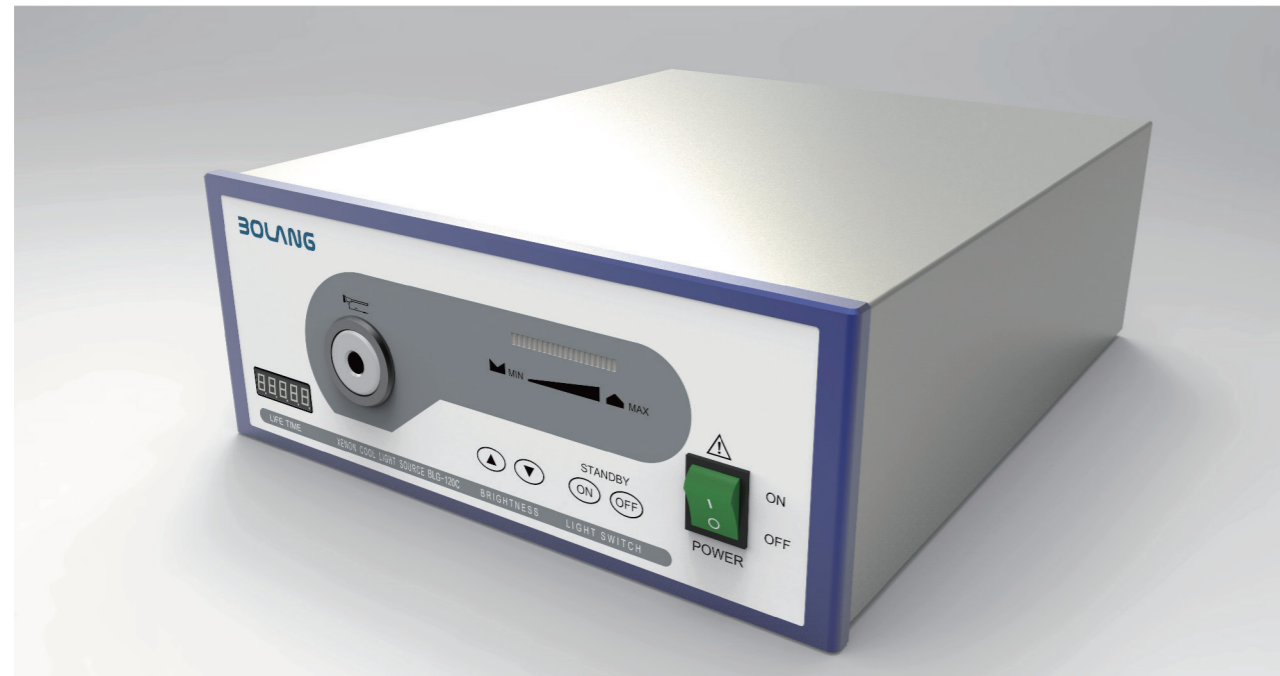
摄像头定焦适配器  
Camera Optic Coupler  
with fixed - focus, F18,  
F20, F22, F25, F28, F32, F35



摄像头变焦适配器  
Camera Optic Coupler  
with zoom, F15-F25,  
F18-F35

型号Model	NT-300HD
输出像素 Output pixels	1920 (H) × 1080 (V)
影像传感器 Image sensor	1/3 Inch
使用预设置 Working modes (User settings)	5 users or modes
输出 Digital Video output	2 x 3G-SDI / HD-SDI (OPTIONAL) 2 x DVI on DVI-D Connector
电压 Main voltage V	100 - 120 / 200 - 240
频率 Main frequency Hz	50/60
摄像头等级 Classification of camera head	BF
摄像头尺寸 Dimensions of camera head	34 × 42 × 58 mm
适配器接口 Interface for connecting adapter ( Lens)	C型接口 Standard C mount
缆线长度 Length of camera cable	3 m
重量 Weight (without camera cable and plug)	130 g
摄像机尺寸 Dimension	325 × 74 × 365 mm
摄像机重量 Weight	5.1 kg

# LED Light Source LED 冷光源



博朗LED光源具有极高的效率和寿命或使用时间。替代150瓦和250瓦卤素灯，超常的使用寿命或使用时间（大于50000小时）使LED光源成为最具成本效益的照明装置，实际中不再需要更换灯泡。

工作模式下这款机器几乎没有任何噪音，光源产生噪音不超过30dB,比传统光源安静四倍，为医生手术带来舒适的操作环境，减少干扰。

Bolang LED light source has high efficiency and long lifetime. Instead of 150-watt and 250-watt halogen light Source, the exceptional lifetime (more than 50000 hours) makes the LED light source become the most cost-effective lighting device and virtually no longer needs to be replaced.

In working mode, the machine has almost no sound. The noise generated by the light source is no more than 30 dB, which is four times quieter than the traditional light source needs to change the lamps. It provides a comfortable operating environment for doctors and reduces interference.

- 照明亮度堪比250瓦卤素灯
- 超长工作时间，减少因灯泡等原因造成的突发情况
- 工作声音极低，噪音不超过30dB
- 色温不会因光亮的减弱或LED灯泡老化而改变，保持始终如一的目视视像

- Illumination is as bright as 250 watt halogen lamps.
- Unparalleled long life time , reduce contingencies caused by light bulbs
- Super Silent, Noise not exceeding 30 dB, low operational cost
- Consistent color temperature

灯泡 LAMP	
类型 Type:	BLG-120C
色温 Color Temperature:	约6500Kelvin    Approx 6500Kelvin
灯泡平均使用寿命 Average lamp life	约50000h    Approx 50000h
光通量 Luminous FLux	800lm
控制面板 CONTROL PANEL	
控制面板带有LED灯指示开关按钮，调节光强度上下箭头按钮	
Control panel with LED light indicator switch button, and up and down arrow buttons to adjust light intensity	
兼容Storz, Olympus,Wolf和 ACMI公司产品的导光束插口	
Light Cable socket can be compatible with Storz, Olympus,Wolf and ACMI .	
连通性: 总线接口	
Connectivity: bus interface	
光源电压及功率Voltage and Power 220V AC, 50Hz, 100W	

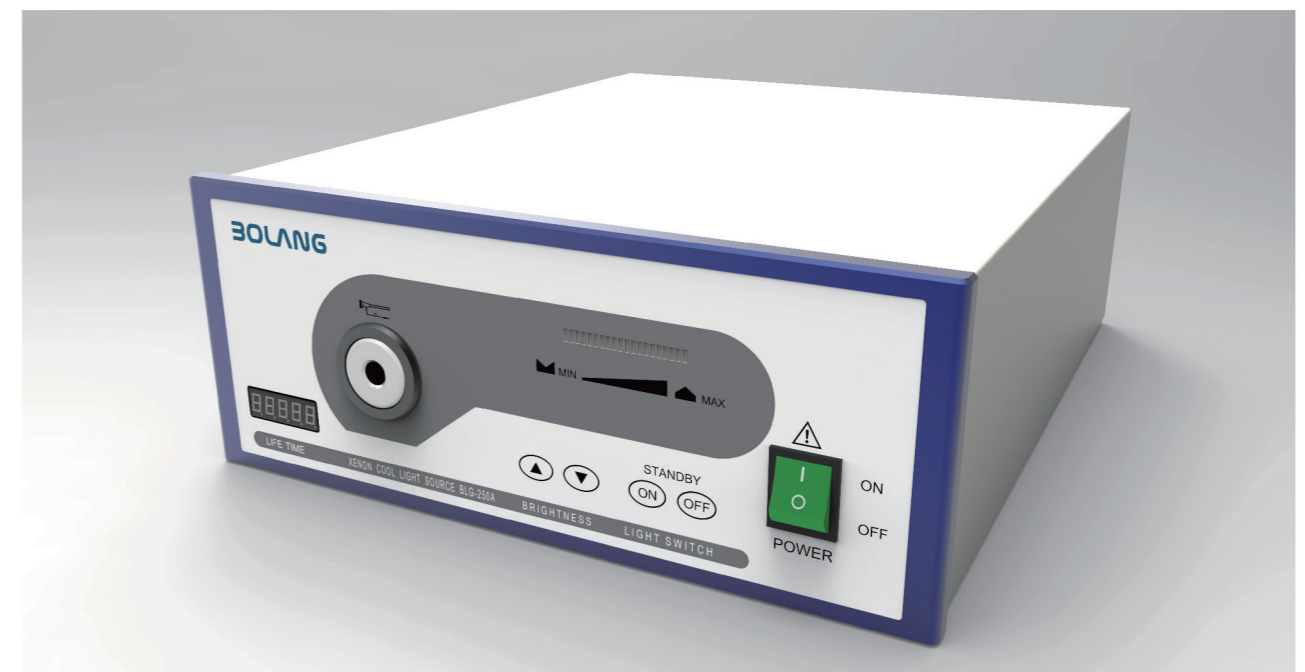
# Xenon Light Source 氙灯冷光源

## 250W

适用于各种应用和需要的250W氙灯光源，带有用来调节光线强弱的上下箭头及开关按钮。

250 W Xenon light source is suitable for all applications and needs, with up and down button to adjust the light intensity.

灯泡 LAMP	
类型 Type:	BLG-250A
色温 Color Temperature:	约3000-7000Kelvin/Approx 3000-7000 Kelvin
光通量 Luminous FLux:	750lm
控制面板 CONTROL PANEL	
控制面板带有调节光强度上下箭头按钮	
Control panel with up and down button to adjust the light intensity.	
兼容Storz, Olympus,Wolf和 ACMI公司产品的导光束插口	
Light Cable socket can be compatible with Storz, Olympus,Wolf and ACMI .	
连通性: 总线接口	
Connectivity: bus interface	
光源电压及功率Voltage and Power 220V AC, 50Hz, 470VA	



## Portable Light Source 便携式光源

诊断用高亮度便携式光源，小巧可手持，方便携带使用。  
适用于博朗所有内窥镜，并配有电池及充电器。

High-bright portable light source for diagnostic purpose,  
small handheld, easy to carry and use.  
For all Bolang endoscopes, with battery and charger.



## Light cable 导光束

导光束照明亮度一致，可高温高压，且带有颜色代码，  
可方便区分，存放。并可配有STORZ/WOLF/OLYMPUS  
导光束适配器。

Uniform illumination and autoclavable, with color code,  
can be distinguished, stored, easily with  
STORZ/WOLF/OLYMPUS adapter.

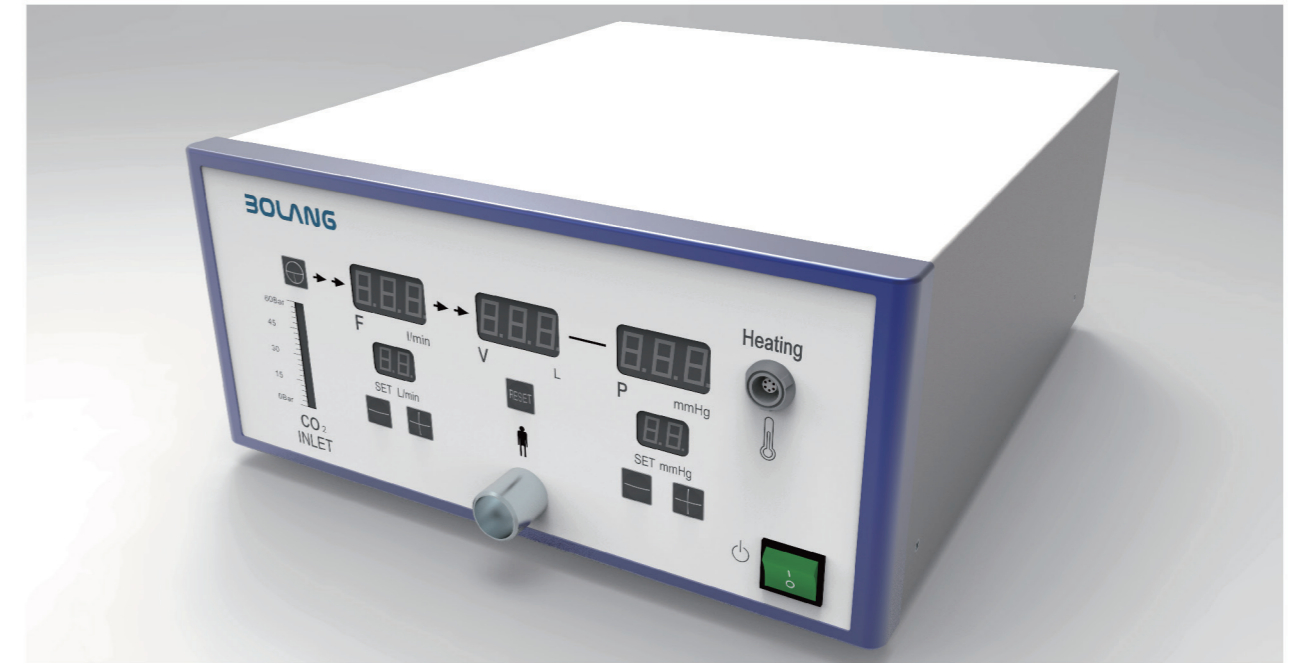


ITEM NO	LENGTH	CLEAR APERTURE	COLOR CODE
型号	长度	通光孔径	颜色代码
JS20DD	2.0m	4.0/4.5/5.0mm	蓝色 Blue
JS25DD	2.5m	4.0/4.5/5.0mm	红色 Red
JS30DD	3.0m	4.0/4.5/5.0mm	绿色 Green

## Insufflator 气腹机

该气腹机结合了卓越的性能和安全性。在腹腔镜手术过程中，即使极端条件下，气腹机仍可保持气腹的可靠性。在新生儿模式下，它可增加针对儿科患者的敏感性。

The insufflator combines excellent performance and safety. During laparoscopic surgery, insufflator can maintain the reliability of pneumoperitoneum even under extreme conditions. In neonatal mode, it increases sensitivity to paediatric patients.



电压 Voltage	交流220V AC 220V
频率 Frequency	50HZ
功率 Power	50W
电源 Power Supply	750lm 允差-10% 750lm allowance factor -10%

进气压力范围广，从0.1MPa-1MPa均能正常工作  
The inlet pressure range is wide and can work normally from 0.1MPa to 1MPa  
开机自检，可监测钢瓶压力，并能自动排空管道内空  
It can monitor cylinder pressure and empty the pipe automatically.  
气压的设定范围为5mmHg~25mmHg，显示允差为±3mmHg  
The pressure's set in the range of 5mmHg~25mmHg, and the tolerance is ±3mmHg.  
流速设置范围为1L/min-40L/min，流速实时显示  
The velocity is setting in the range of 1L/min-40L/min, and the velocity is displayed in real time.  
带流量监测，流量记录可清零  
With flow monitoring, flow record can be cleared  
超压有声光报警，并自动停止加气，超过设定值5mmHg自动泄压，确保患者安全  
Overpressure has sound and light alarm, and stop aeration automatically, automatic pressure relief if setting value over 5mmHg to ensure patients safety.  
带用户设定记忆功能，关机后重新开机自动记忆用户设定值  
With user setting memory function, save user setting value automatically after shutdown.  
有正常加气和快速加气两种模式  
Two modes of aeration: normal aeration and rapid aeration  
可提供中英文两种语言切换  
English and Chinese languages are available

### 广泛的效率确保最佳性能:

- 宽流量范围
- 兼容的语音命令
- 内置燃气加热技术
- 可升级新的软件

### Broad efficiency ensures optimal performance:

- Wide flow range
- Compatible voice commands
- Built-in gas heating technology
- Upgraded new software