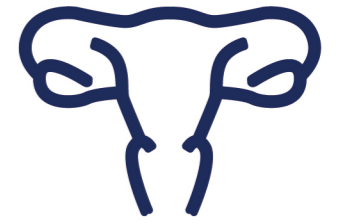


BOLANG
PROFESSIONAL OPTICAL ENDOSCOPE

**GYNECOLOGICAL
AREA OF
TIANJIN BOLANG**



博朗科技
妇科领域



- | 宫腔镜
- | 硬性宫腔镜手术器械
- | 妇科相关器械

BOLANG
PROFESSIONAL OPTICAL ENDOSCOPE

天津博朗科技发展有限公司

地址：天津华苑产业区海泰绿色产业基地二纬路六号D座401
邮编：300384
电话：+86-22-23788271
传真：+86-22-23788271
邮箱：info@bolangendo.com
网站：www.bolangendo.com

Tianjin Bolang Science Technology Development Co.,Ltd

Add: Rm401, Block D, Hi-tech Green Industrial Base, Xiqing District
300384 Tianjin China
Tel: +86-22-23787098
Fax: +86-22-23788271
Email: info@bolangendo.com
Web: www.bolangendo.com



GYNECOLOGICAL AREA OF TIANJIN BOLANG

BOLANG
PROFESSIONAL OPTICAL ENDOSCOPE

**TECHNOLOGY
CREATES
THE FUTURE**

细节决定品质 科技铸就未来

多年以来，天津博朗科技发展有限公司专注于自主创新，在光学系统，电学及机械设计方面的综合应用开发及生产工艺方面有着丰富的经验。结合临床，了解医生所需，最大程度的减轻病人痛苦，达到客户满意是博朗一贯的宗旨。优化的设计，可靠的安全性以及方便操作的产品优点均为人所共知。

Over the years, Tianjin Bolang Science Technology Development Co., Ltd. is dedicated to independent innovation and has a wealth of experience in the development of comprehensive application and process technology, which included optical system, electricity and mechanic design. In combination with clinical, to know what the doctor needs, to minimize the pain of patients, to achieve customer satisfaction is Bolang's consistent purpose. Optimized design, reliable safety and easy-to-operate etc. are well known.

Welcome to Gynecological area of Tianjin Bolang

欢迎进入博朗科技妇科领域

随着妇科内窥镜影像技术突飞猛进的发展，天津博朗科技发展有限公司始终保持不断地完善影像系统，提高器械发展质量。确保产品品质，工艺，设计精益求精，使得博朗内镜系统在宫腔诊断及内镜治疗领域里成为最可信赖的设备！

With the rapid development of gynecological endoscope imaging technology, Tianjin Bolang science Technology Development Co., Ltd. has been improving the image system, developing the quality of instrument constantly. Keep Improving of product quality, technology and design, Bolang endoscope is the most reliable instrument in the field of intrauterine diagnosis and endoscopic therapy.

妇科学目录

Table of Content:

宫腔镜

Hysteroscope:

2.9mm 硬性宫腔镜	2.9mm Hysteroscope
4.0mm 硬性宫腔镜	4.0mm Hysteroscope

宫腔镜手术器械

Hysteroscope Instrument:

诊断用宫腔镜鞘	Diagnostic Hysteroscope
一体式操作宫腔镜	Operative Hysteroscope -One Piece
一体式操作宫腔镜鞘	Operative Hysteroscope Sheath -One Piece
操作用宫腔镜鞘 - 单旋转	Operative Hysterosocpe Sheath-Single Rotating
操作用宫腔镜鞘- 非旋转	Operative Hysterosocpe Sheath- Fixed
多功能手术用宫腔镜 - 德国制造	Multifunctional Hysteroscope
妇科腹腔镜检查术	Single Puncture Laparoscopy
宫腔电切镜	Resectoscope

妇科相关设备

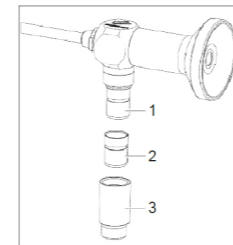
Related Devices:

摄像机	Camera
光缆	Light Cable
光源	Light Source
气腹机	Insufflator

Hysteroscope
宫腔镜

Hysteroscope
Instrument
宫腔镜手术器械

Hysteroscope
宫腔镜



CONNECTION WITH ILLUMINATION FIBER

可通配光缆

- 1.Type ACMI
- 2.Adapter type WOLF
- 3.Adapter type Storz/Olympus



★ SD¹: 标清 Standard / WA¹: 广角 Wide Angle

ITEM NO	DIAMETER	WORKING LENGTH	DIRECTION OF VIEW	FIELD OF VIEW	TO SYSTEM
序列号	直径	工作长度	视向角	视场角	适用系统
GQ.040.000.3020.1	4.0mm	301mm	0°	SD ¹	Storz/ Wolf/ Olympus
GQ.040.012.3020.1	4.0mm	301mm	12°	SD	
GQ.040.030.3020.1	4.0mm	301mm	25°	SD	
GQ.040.045.3020.1	4.0mm	301mm	30°	SD	
GQ.040.070.3020.1	4.0mm	301mm	70°	SD	
GQ.040.000.3020.3	4.0mm	301mm	0°	WA ¹	
GQ.040.012.3020.3	4.0mm	301mm	12°	WA	
GQ.040.030.3020.3	4.0mm	301mm	25°	WA	
GQ.040.045.3020.3	4.0mm	301mm	30°	WA	
GQ.040.070.3020.3	4.0mm	301mm	70°	WA	
GQ.030.000.3020.1	3.0mm	301mm	0°	SD	
GQ.030.012.3020.1	3.0mm	301mm	12°	SD	
GQ.030.025.3020.1	3.0mm	301mm	25°	SD	
GQ.030.030.3020.1	3.0mm	301mm	30°	SD	
GQ.030.070.3020.1	3.0mm	301mm	70°	SD	
GQ.029.000.3020.1	2.9mm	301mm	0°	SD	
GQ.029.012.3020.1	2.9mm	301mm	12°	SD	
GQ.029.025.3020.1	2.9mm	301mm	25°	SD	
GQ.029.030.3020.1	2.9mm	301mm	30°	SD	
GQ.029.070.3020.1	2.9mm	301mm	70°	SD	
GQ.027.000.3020.1	2.7mm	301mm	0°	SD	
GQ.027.012.3020.1	2.7mm	301mm	12°	SD	
GQ.027.025.3020.1	2.7mm	301mm	25°	SD	
GQ.027.030.3020.1	2.7mm	301mm	30°	SD	
GQ.027.070.3020.1	2.7mm	301mm	70°	SD	

Hysteroscopy

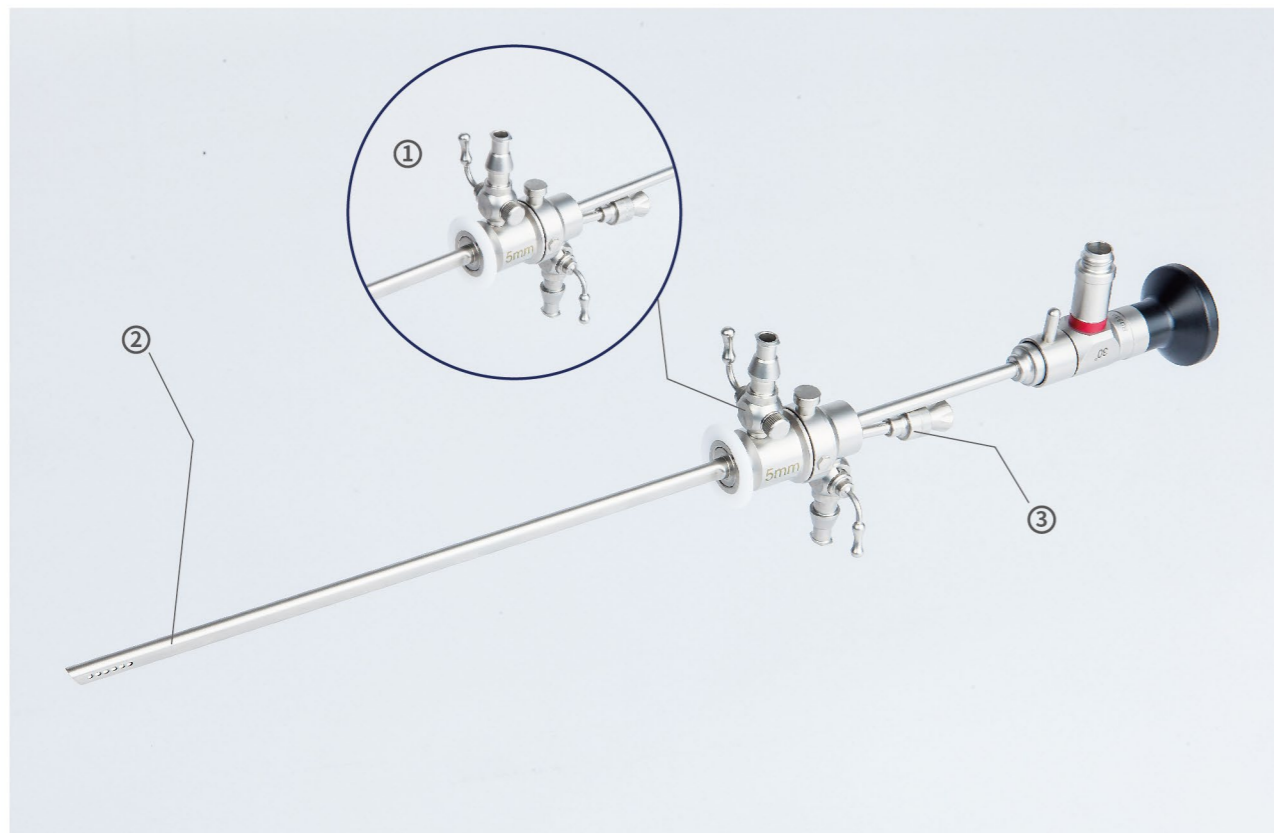
宫腔镜检查术

宫腔镜检查术通过人体天然孔道进入宫腔，创伤小，无血清晰，保留子宫；且可一览无余观察到整个宫腔状态，如有病变，可通过宫腔镜鞘的工作管道插入器械，进行刮宫术，活检或者宫腔镜手术。

Through the human body's natural orifice to enter the uterine cavity, with little trauma, no blood, no clarity, and keeping the womb. The state of the uterine cavity can also be observed at a glance. If there are lesions, Instrument could insert through the working channel of the hysteroscopic sheath to carry out curettage, biopsy or hysteroscopic surgery.

天津博朗宫腔镜具有纤细的外径，高流量特性及卓越的光学性能等特点，为您提供更多的宫腔镜选择。

Bolang hysteroscope with fine external diameter, high flow characteristics and excellent optical properties, to provide you with more options.



- ① 高流量特性
- ② 可提供医生符合宫颈形状的各种外鞘设计
- ③ 独特的器械通道入口设计

- ① High flow capacity
- ② Provides different external sheath designs for doctors to fit the shape of the cervix
- ③ Unique Working channel Design

Diagnostic Hysteroscope

诊断用宫腔镜鞘

此套器械包含 Consisting of

- 持续对流操作器
- 带有半软性器械用工作通道的可操作检查鞘（可选配置）
- 冲洗阀门
- 闭孔器
- Continuous-flow operative sheath
- Operative-examination Sheath with working Channel (option)
- Irrigation valve
- Obturaor

持续对流，
内外鞘可双向旋转360°，
含无创末端。

Continuous-flow,
with atraumatic distal end
and outer sheath can
rotate 360°

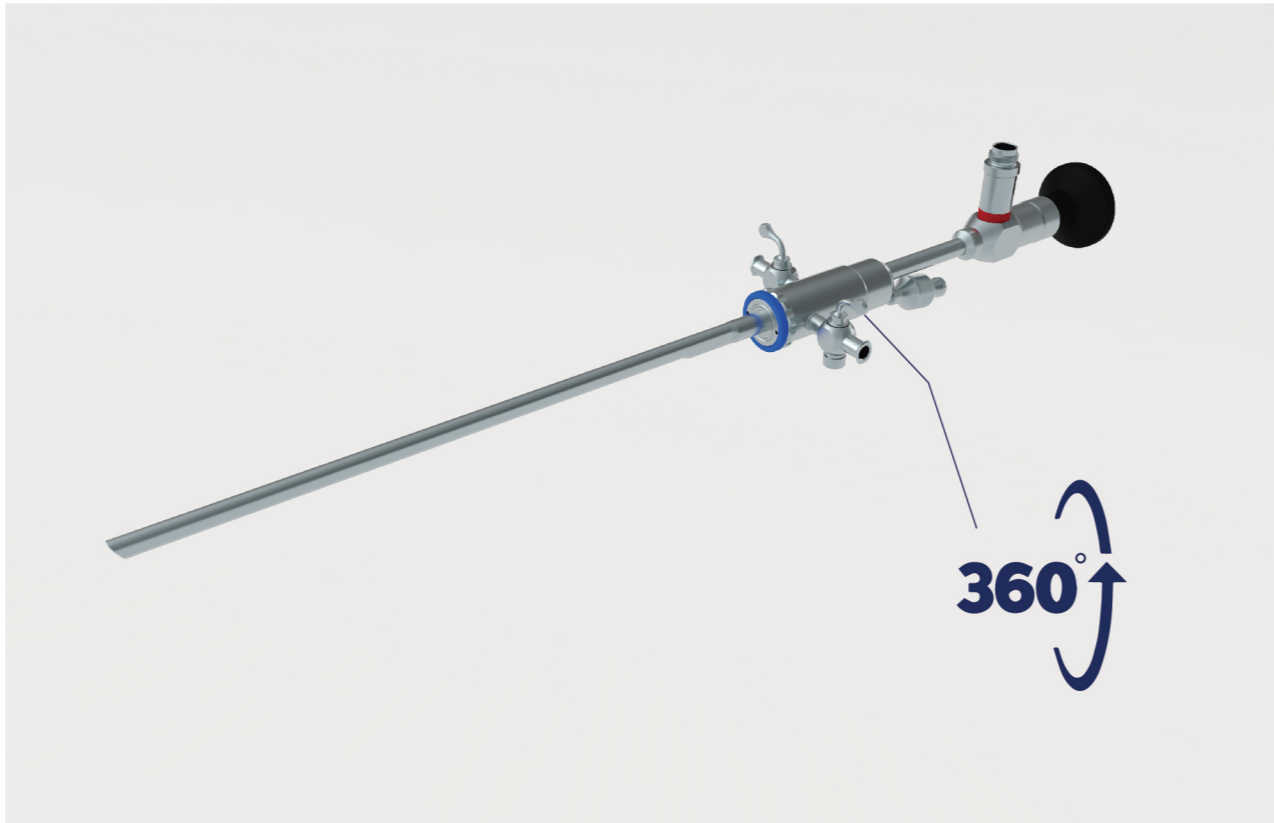


ITEM NO	OUTER TUBE SIZE/FR	APPLICATIVE ENDOSCOPE	WORKING CHANNEL/FR	SHEATH FORM
编号	外部尺寸 (mm)	适用的内窥镜	工作通道	鞘形状
FK.GQJQ.SXZ.529	4.8	2.9mm/301mm/30°	5Fr	椭圆形 Oval
FK.GQJQ.SXZ.540	5.0	4.0mm/301mm/30°	5Fr	椭圆形 Oval
FK.GQJQ.SXZ.729	5.3	2.9mm/301mm/30°	7Fr	椭圆形 Oval
FK.GQJQ.SXZ.740	5.5	4.0mm/301mm/30°	7Fr	椭圆形 Oval

Operative Hysteroscope- One Piece

一体式操作宫腔镜

- 持续对流, 含无创末端, 与内窥镜联体设计, 高流量特性
 - 一体化设计, 强度更高, 更小的插入部的尺寸, 减小患者痛苦
 - 医生易操作, 避免因拆卸误操作而使镜子受损等情况
 - 可360°旋转, 避免宫颈口损伤, 防止水路管缠绕
- Continuous-flow, with atraumatic distal end. High flow capacity due to conjoined design with endoscope.
 - Stronger roughness with integrated design ; Smaller size of insertion lessen the suffering of the patients.
 - Easy to operate, avoid damage to the endoscope due to misoperation during disassembly.
 - 360°rotatable, avoid the injury of cervix and prevent winding of tube.



ITEM NO	OUTER TUBE SIZE/FR	APPLICATIVE ENDOSCOPE	WORKING CHANNEL/FR.	SHEATH FORM
编号	外部尺寸	适用的内窥镜	工作通道	鞘形状
GQ.YTJ155	15Fr	30°SD/SDWA	5	椭圆形 Oval
GQ.YTJ167	16Fr	30°SD/SDWA	7	椭圆形 Oval

Operative Hysteroscope Sheath -One Piece

一体式操作宫腔镜鞘

- 持续对流, 含无创末端, 一体式设计, 高流量特性。
 - 可360°旋转, 避免宫颈口损伤, 防止水路管缠绕。(可选配置)
- Continuous-flow, with atraumatic distal end. High flow capacity due to one-piece design
 - 360°rotatable, avoid the injury of cervix and prevent the winding of tube. (option)



博朗公司不仅有与内窥镜联体设计的一体式操作宫腔镜, 也可提供独立分开的一体式操作宫腔镜鞘。

Bolang not only has integrated operative design with endoscope, but also has an independent, separate, One-Piece Operative hysteroscope sheath.

ITEM NO	OUTER TUBE SIZE/FR	APPLICATIVE ENDOSCOPE	WORKING CHANNEL/FR.	SHEATH FORM
编号	外部尺寸	适用的内窥镜	工作通道	鞘形状
FK.GQJQ.YTS	14.5Fr	2.7mm/301/30°	7	Drop-Shape 水滴形
	16Fr	2.9mm/301/30°	7	Drop-Shape 水滴形

Operative Hysterosocpe Sheath-Single Rotating

操作作用宫腔镜鞘 - 单旋转

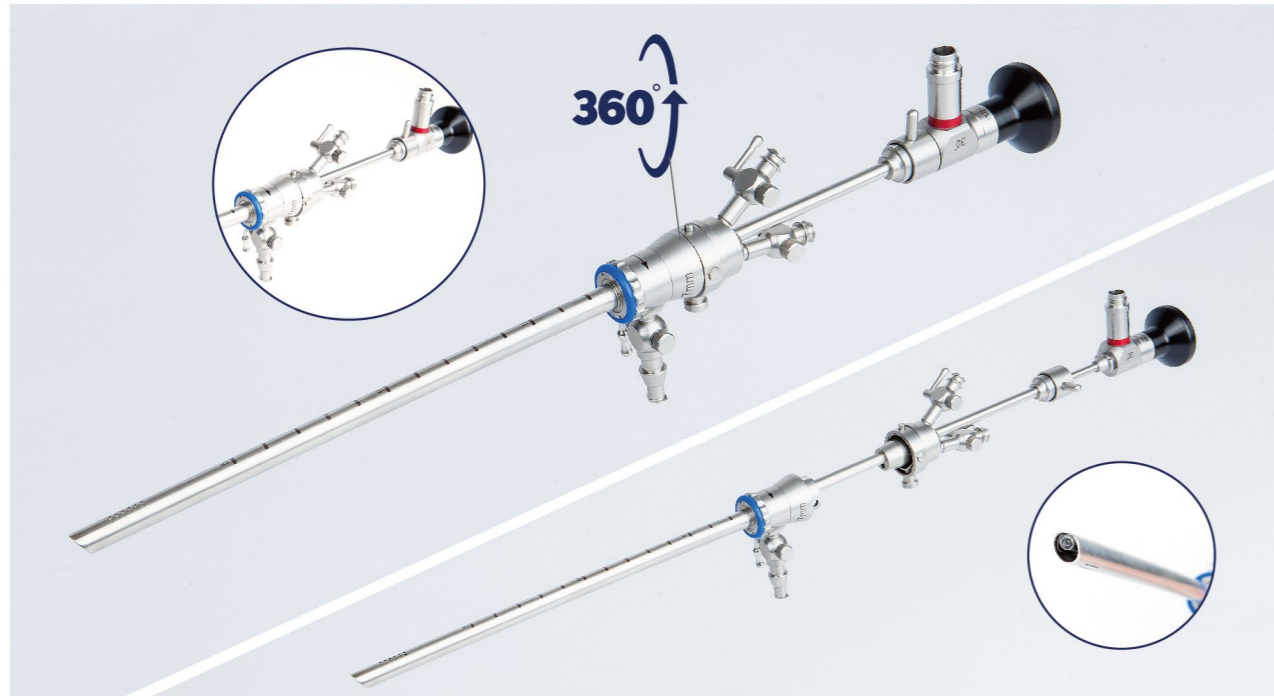
此套器械包含
Consisting of

- 持续对流操作器
- 带有半软性器械用工作通道的可操作检查鞘
- 冲洗阀门们
- 闭孔器
- Continuous-flow operative sheath
- Operative-examination Sheath with working Channel
- Irrigation valve
- Obturaor

360°

持续对流，
含无创末端，
外鞘可旋转360°

Continuous-flow,
with atraumatic distal end
and outer sheath can
rotate 360°



ITEM NO	OUTER TUBE SIZE/FR	APPLICATIVE ENDOSCOPE	WORKING CHANNEL/FR	SHEATH FORM
编号	外部尺寸	适用的内窥镜	工作通道	鞘形状
FK.GQJQ.DXZ.227	22	4mm/301mm/30°	7	椭圆形 Oval
FK.GQJQ.DXZ.155	14.5	2.7mm/301mm/30°	5	椭圆形 Oval
	16	2.9mm/301mm/30°	5	椭圆形 Oval

Operative Hysterosocpe Sheath- Fixed

操作作用宫腔镜鞘 - 非旋转

持续对流，含无创末端。独特的器械通道入口设计
不易因勿操作而导致漏水或器械损坏

Continuous-flow, with atraumatic distal end. Unique
instrument channel design prevent forceps from misopera-
tion and avoid leakage effectively.

此套器械包含
Consisting of

- 持续对流操作器
- 带有半软性器械用工作通道的可操作检查鞘
- 冲洗阀门们

- Continuous-flow operative sheath
- Operative-examination Sheath with working Channel
- Irrigation valve



ITEM NO	OUTER TUBE SIZE/FR	APPLICATIVE ENDOSCOPE	WORKING CHANNEL/FR.	SHEATH FORM
编号	外部尺寸	适用的内窥镜	工作通道	鞘形状
	14.5Fr	2.7mm/301/30°	5	水滴形 Drop-Shape
	16Fr	2.9mm/301/30°	5	水滴形 Drop-Shape

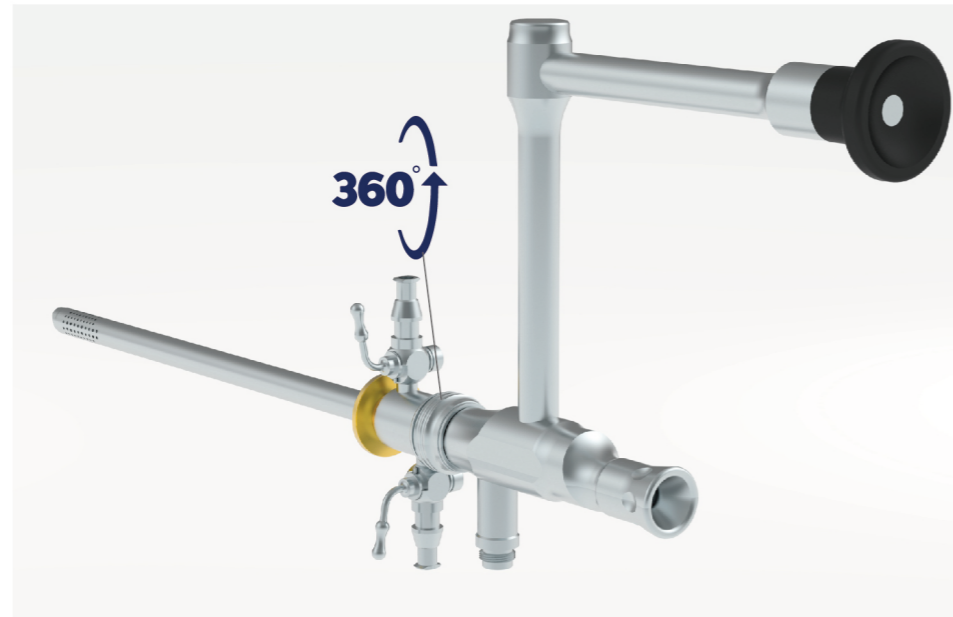
Multifunctional Hysteroscope

多功能手术用宫腔镜

德国制造

可通过平行目镜的内镜的直形工作通道引入器械

Through a straight working channel of a telescope with parallel eyepiece



- 超高清视野为医生提供良好的视觉效果
- 独特的结构设计有效防止机械损伤, 避免误操作
- 镜鞘的通用性为医生提高手术效率

- Ultra HD vision provides excellent image quality for doctors
- Unique structural design prevent mechanical damage and avoid misoperation effectively
- Universal outer sheath can effectively improve the quality and efficiency of surgery



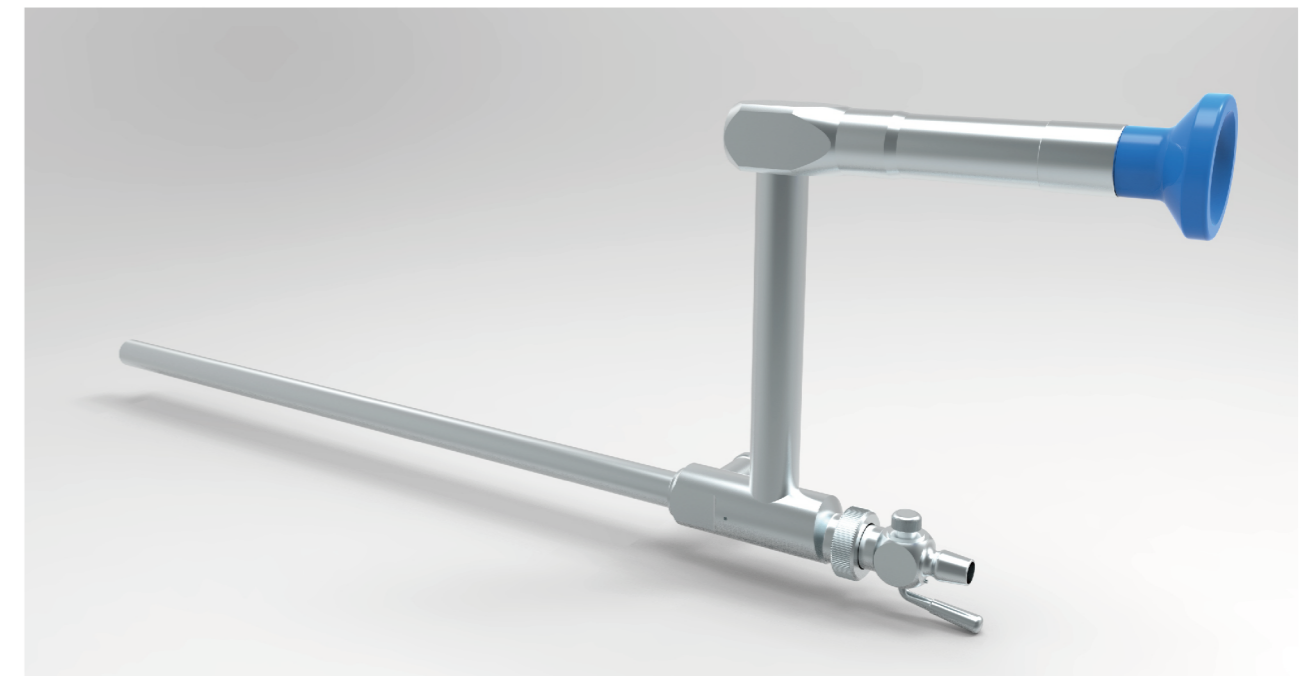
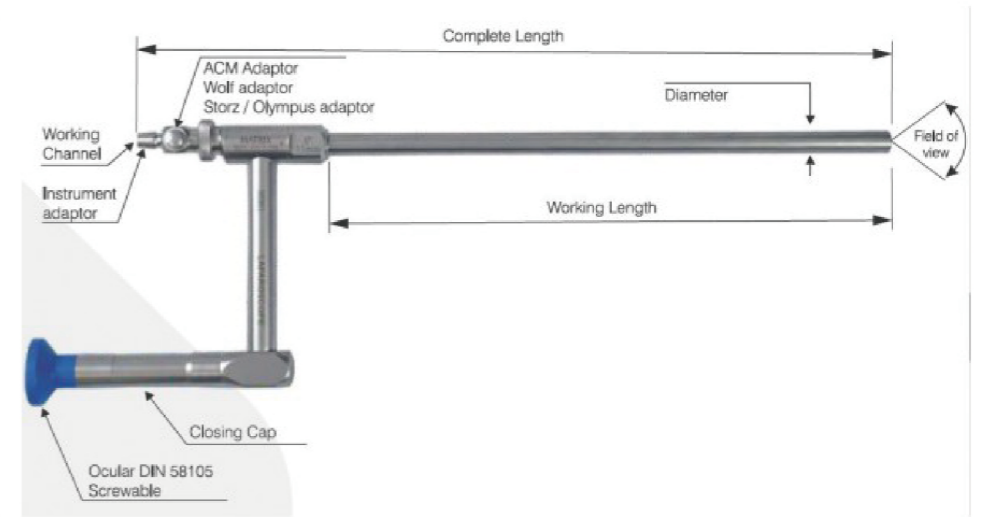
ITEM NO	OUTER TUBE SIZE/FR	APPLICATIVE ENDOSCOPE	WORKING LENGTH/MM	WORKING CHANNEL/FR.
编号	外部尺寸	适用的内窥镜	工作长度	工作通道
ZJPG	9(26Fr)	301mm/20°	185	14

Single Puncture Laparoscope

妇科腹腔镜检查术

带有鲁尔锁扣连接的
手术用腹腔镜

Single Puncture Laparoscope - with HD optical design system to provide brilliant and wide angle image for the users



ITEM NO	Ø MM	WORKING LENGTH MM	WORKING CHANNEL MM	DIRECTION OF VIEW	FIELD OF VIEW
序列号	直径	工作长度 mm	工作管道 mm	视野方向	视场角度
ZJFQ.110.270.2	11	270	6mm	0°	HD

Resectoscope

宫腔电切镜



可360°旋转内鞘,内外鞘易连接
360°rotatable; Easy to connect Inner Sheath and Outer Sheath

独特的设计减少宫颈口损伤
Unique Design reduces Risk of Injury

高流量特性
Higher Flow

单双极一体设计
Monopolar and Bipolar in One Unit

相较于传统电切镜设计相比, 博朗电切镜设计既为患者降低了损伤风险, 又方便了医生的使用。

Compared with the traditional design, BOLANG resectoscope not only reduces the risk of injury, but also facilitates the operation for doctors.

电切镜工作手件

Resectoscope Working Element

PRODUCT 规格 SPECIFICATION	WORKING ELEMENT					
	主动式 ACTIVE		被动式 PASSIVE		独立手柄 INDEPENDENT HANDLE	
	单双极一体式手件 MONOPOLAR&BIPOLAR ONE-PIECE				双极手件 BIPOLAR	
参考图片 REFERENCE PICTURE	METAL HANDLE	PLASTIC HANDLE	METAL HANDLE	PLASTIC HANDLE	ACTIVE	GYRUS ACTIVE
ITEM NO.	DQ.SJZD.M	DQ.SJZD.M.P	DQ.SJBD.M	DQ.SJBD.P	DQ.SJDL	DQ.SJL

持续灌流的外鞘，
内鞘及标准闭孔器

Continuous-flow operative sheath, inner sheath and standard obturator

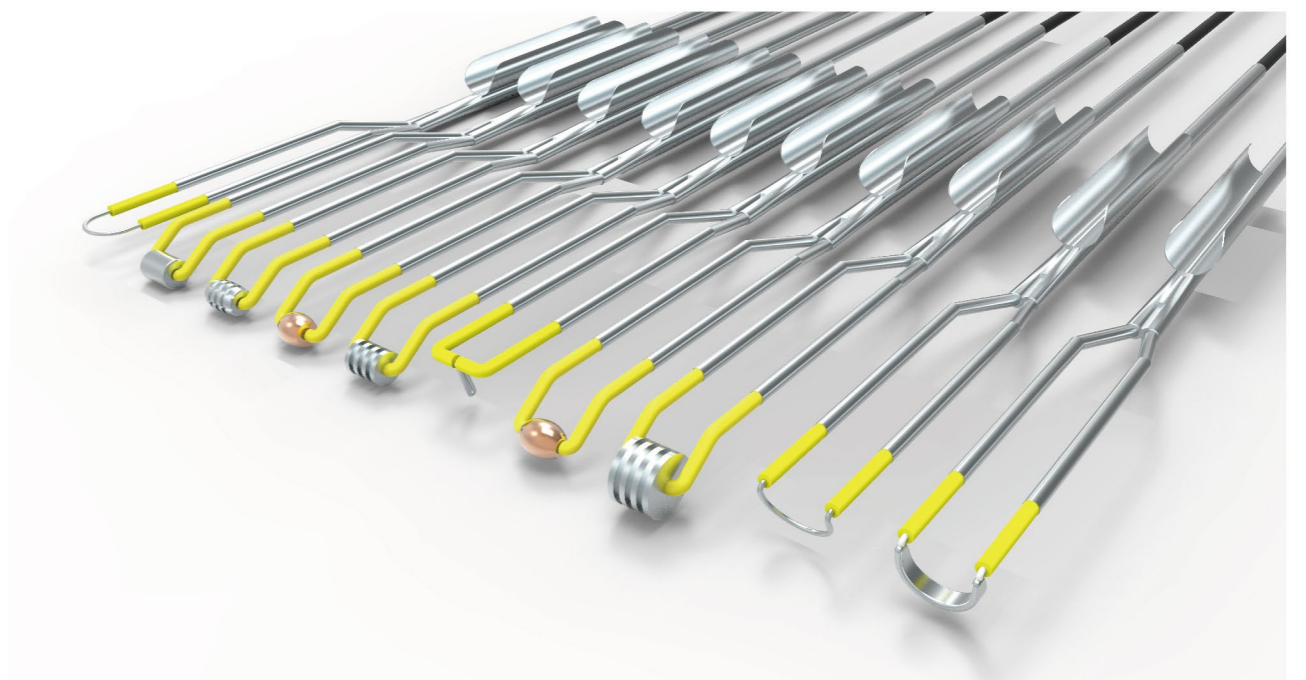


ITEM NO 系列号	PRODUCT 产品	SPECIFICATION 规格	REFERENCE PICTURE 参考图片
DQ.NQ	内鞘 Inner Sheath	24Fr or 22Fr	
DQ.WQ	外鞘 Outer Sheath	26Fr or 24Fr	
DQ.BKQ.BZ	标准闭孔器 Standard Obturator		
DQ.BKQ.DX	导向闭孔器 Deflecting Obturator		
DQ.KSBKQ.QX	可视闭孔器 Visible Obturator	带有器械通道 With Working Channel	

ITEM NO 系列号	PRODUCT 产品	SPECIFICATION 规格	REFERENCE PICTURE 参考图片
MN.0009.6	内鞘适配器 Rotatable Irrigation Adapter - with luer connector with stopcock	当病人尿道狭窄时,可使用内鞘适配器直接与内鞘连接 When urethra of patient is small, Inner Sheath Adapter could be: Instead of outer sheath, connect with inner sheath directly	
MN.0012	水接阀 Water Flow Connector	鲁尔接头, 带控制阀门 Luer-Lock Tube Connector, with stopcock	

Loop 电极环

ITEM NO. /24 FR 序列号	LOOP 电切环
DQH.D.P	Electrode-single stem - cutting
DQH.D.T	Electrode-single stem - special type
DQH.S.P	Electrode - double stem - standard type
DQH.S.T	Electrode - double stem - special type
DQH.JL	Gyrus Style Loop



HF CABLE 高频线

单极高频线 Monopolar HF Cable



ITEM NO DQ.D.GPDX

双极高频线 Bipolar HF Cable



ITEM NO DQ.S.GPDX

INSTRUMENT 手术器械



抓取钳 Grasper Forceps



活检钳 Biopsy Forceps



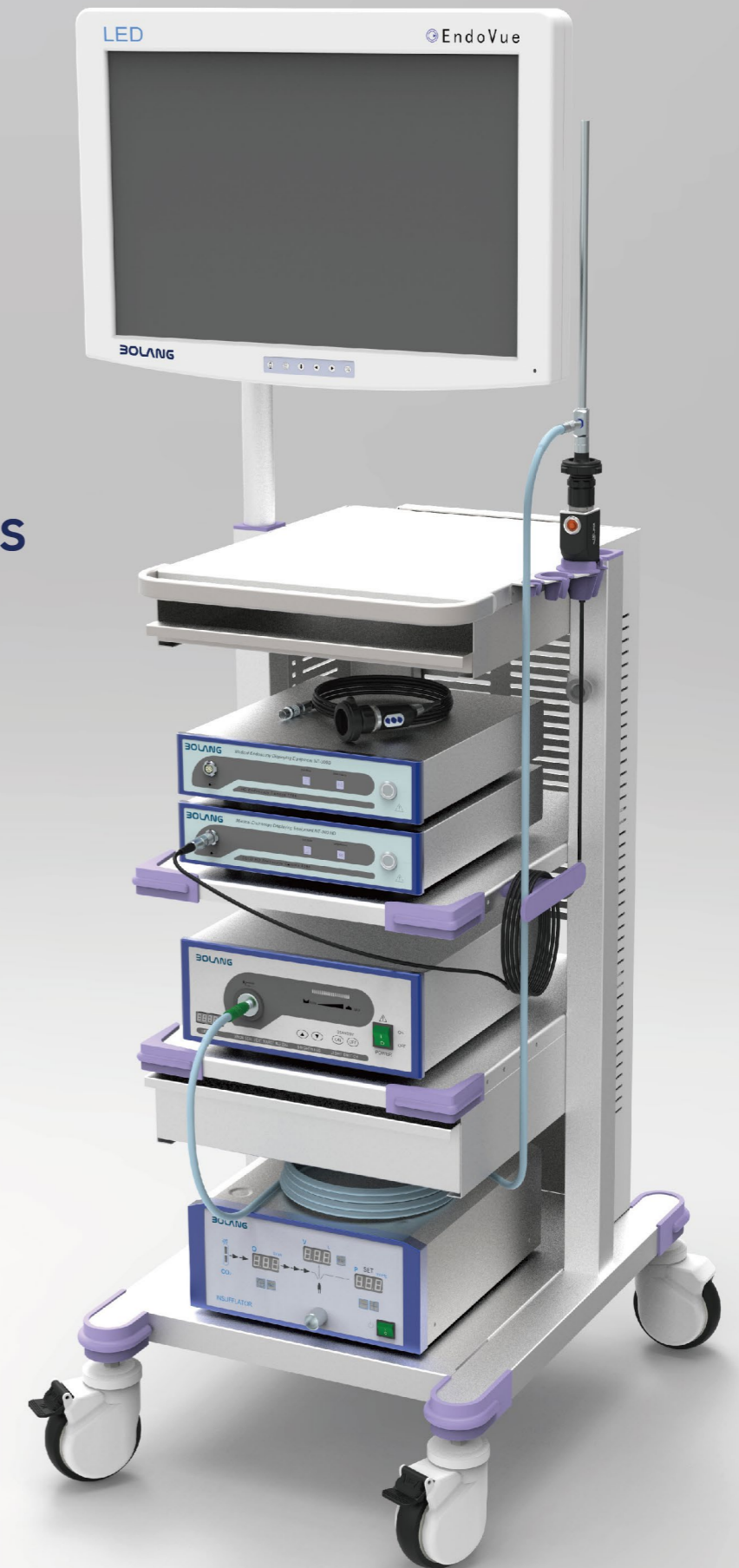
异物钳 Foreign body Forceps



剪刀 Scissors

ITEM NO 序列号	SPECIFICATION 规格	SIZE 尺寸
	RIGID FORCEPS 硬钳	
FK.5RFA	活检钳 Biopsy Forceps	5Fr
FK.5RFB	异物钳 Foreign body Forceps	5Fr
FK.5RFC	剪刀 Scissors	5Fr
FK.5RFD	抓取钳 Grasper Forceps	5Fr

Related Devices 相关电气设备



Related Devices
妇科相关设备

Image System
显像系统

Camera 摄像机

NT-300HD是最新版本高清内窥镜摄像机，它能输出最清晰的画质。高分辨率且带有逐行扫描功能，可提供最清晰的细节和无与伦比的自然色彩，即使在组织中最细微的变化都可清晰分辨出来，尽可能的辅助医生提高执行微创手术的能力。

★
此外，天津博朗还提供其他配置摄像机，详情请参阅电气设备彩页。

NT-300HD, is the latest version of a HD endoscope camera, delivers the clearest image quality. High resolution and progressing scan features provide the clearest detail and unparalleled natural color, even the smallest changes in the tissue can be clearly identified, as much as possible to assist the doctor to improve the ability to perform minimally invasive surgery.

Additionally, Tianjin Bolang also provides other configuration cameras. For details, please refer to the electrical equipment catalog.



摄像头光学适配器
Camera Optic Couplor



摄像头定焦适配器
Camera Optic Couplor
with fixed - focus, F18,
F20, F22, F25, F28, F32, F35



摄像头变焦适配器
Camera Optic Couplor
with zoom, F18-F35

型号Model	NT-300HD
输出像素Output pixels	1920 (H) x 1080 (V)
影像传感器Image sensor	1/3 Inch
使用预设置Working modes (User settings)	5 users or modes
输出Digital Video output	2 x 3G-SDI / HD-SDI (OPTIONAL) 2 x DVI on DVI-D Connector
电压Main voltage V	100 - 120 / 200 - 240
频率Main frequency Hz	50/60
摄像头等级Classification of camera head	BF
摄像头尺寸Dimensions of camera head	34 × 42 × 58 mm
适配器接口Interface for connecting adapter (Lens)	C型接口Standard C mount
缆线长度Length of camera cable	3 m
重量Weight (without camera cable and plug)	90 g
摄像机尺寸Dimension	325 × 74 × 365 mm
摄像机重量Weight	5.1 kg

LED Light Source

LED 光源



博朗LED光源具有极高的效率和寿命时间。替代150瓦和250瓦卤素灯，超常的使用寿命时间（大于50000小时）使LED光源成为最具成本效益的照明装置，并且事实上不再需要更换灯泡。

工作模式下这款机器几乎没有任何声响，光源产生噪音不超过30dB,比传统光源机器安静四倍，为医生手术带来舒适的操作环境，减少干扰。

Bolang LED light source has high efficiency and lifetime. Instead of 150-watt and 250-watt halogen lamps, the exceptional lifetime (more than 50000 hours) makes the LED light source the most cost-effective lighting device and virtually no longer needs to be replaced.

In working mode, the machine has almost no sound. The noise generated by the light source is no more than 30 dB, which is four times quieter than the traditional light source machine. It provides a comfortable operating environment for doctors and reduces interference.

- 照明亮度堪比250瓦卤素灯
- 超长工作时间，减少因灯泡等原因造成的突发情况
- 工作声音极低，噪音不超过30dB
- 色温不会因光亮的减弱或LED灯泡老化而改变，保持始终如一的视物视觉
- Illumination is as bright as 250 watt halogen lamps.
- Unparalleled long life time of LED Lamp, reduce contingencies caused by light bulbs, etc.
- Super Silent, Noise not exceeding 30 dB, low operational cost
- Consistent color temperature when dimming, maintaining consistent visual vision

灯泡 LAMP	
类型 Type:	LED
色温 Color Temperature:	约6500Kelvin Approx 6500Kelvin
灯泡平均使用寿命 Average lamp life	约50000h Approx 50000h
光通量 Luminous FLux	800lm
控制面板 CONTROL PANEL	
控制面板带有LED灯指示开关按钮，调节光强度上下箭头按钮 Control panel with LED light indicator switch button, and up and down arrow buttons adjust light intensity	
兼容Storz, Olympus,Wolf和ACMI公司产品的导光束插口 Light Cable socket compatible with Storz, Olympus,Wolf and ACMI .	
连通性: 总线接口 Connectivity: bus interface	
光源电压及功率Voltage and Power 220V AC, 50Hz, 100W	

Xenon Light Source

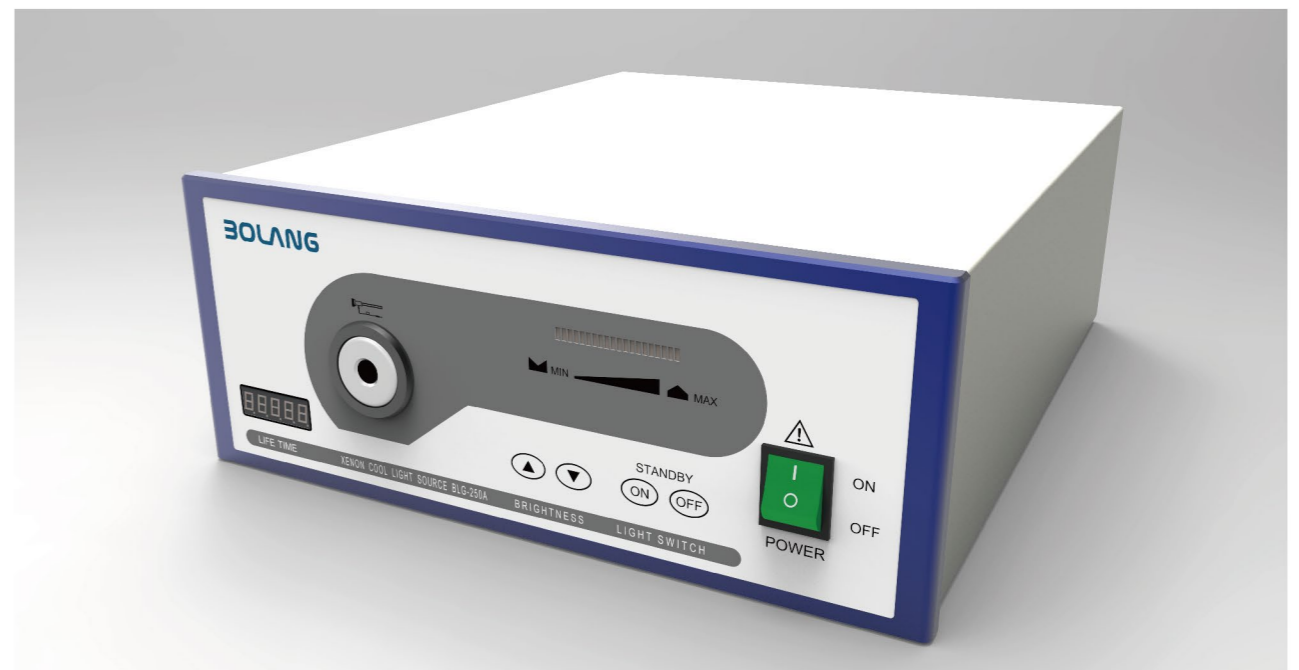
氙灯光源

250W

适用于各种应用和需要的250W氙灯光源，带有用来调节光线强弱的上下箭头及开关按钮。

250 W Xenon lamp light source is suitable for all applications and needs, with up and down button to adjust the light intensity.

灯泡 LAMP	
类型 Type:	Xenon
色温 Color Temperature:	约3000-7000Kelvin/Approx 3000-7000 Kelvin
光通量 Luminous FLux:	750lm
控制面板 CONTROL PANEL	
控制面板带有调节光强度上下箭头按钮 Control panel with up and down button to adjust the light intensity.	
兼容Storz, Olympus,Wolf和ACMI公司产品的导光束插口 Light Cable socket compatible with Storz, Olympus,Wolf and ACMI .	
连通性: 总线接口 Connectivity: bus interface	
光源电压及功率Voltage and Power 220V AC, 50Hz, 470VA	



Portable LED Light Source

LED 便携式光源

诊断用高亮度便携式光源，小巧可手持，方便携带使用。适用于博朗所有内窥镜，并配有电池及充电器。

High-bright portable light source for diagnostic purpose, small handheld, easy to carry and use. For all Bolang endoscopes, with battery and charger.



Light cable 导光束

导光束照明亮度一致，可高温高压，且带有颜色代码，可方便区分，存放。并可配有STORZ/WOLF/OLYMPUS导光束适配器。

Uniform illumination and autoclavable, with color code, can be easily distinguished, stored, and with STORZ/WOLF/OLYMPUS adapter.

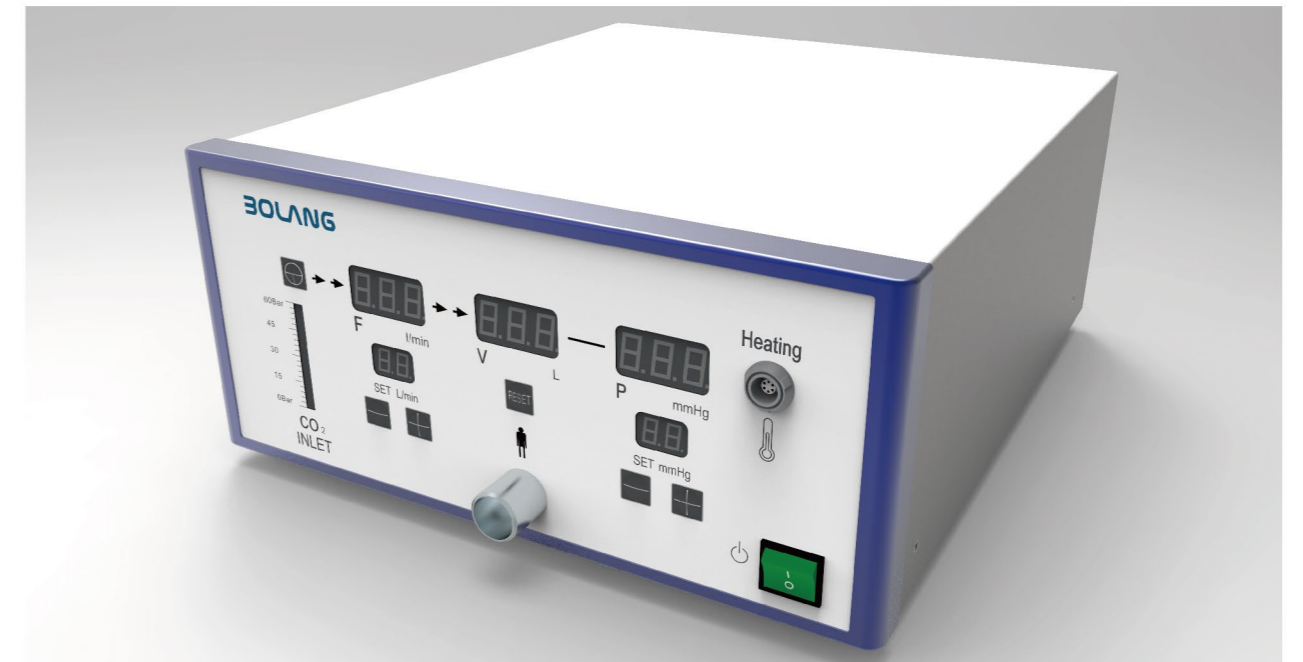


ITEM NO	LENGTH	DIAMETER	COLOR CODE
型号	长度	直径	颜色代码
JS20DD	2.0m	5.0mm	蓝色 Blue
JS25DD	2.5m	5.0mm	红色 Red
JS30DD	3.0m	5.0mm	绿色 Green

Insufflator 气腹机

该气腹机结合了卓越的性能和安全性。在腹腔镜手术过程中，即使极端条件下，气腹机仍可保持气腹的可靠性。在新生儿模式下，它可增加针对儿科患者的敏感性。

The insufflator combines excellent performance and safety. During laparoscopic surgery, insufflator can maintain the reliability of pneumoperitoneum even under extreme conditions. In neonatal mode, it increases sensitivity to paediatric patients.



电压 Voltage	交流220V AC 220V
频率 Frequency	50HZ
功率 Power	50W
电源 Power Supply	750lm 允差-10% 750lm allowance factor -10%

进气压力范围广，从0.1MPa-1MPa均能正常工作
The inlet pressure range is wide and can work normally from 0.1MPa-1MPa
开机自检，可监测钢瓶压力，并能自动排空管道内空
It can monitor cylinder pressure and empty the pipe automatically.
气压的设定范围为5mmHg-25mmHg，显示允差为±3mmHg
The pressure is set in the range of 5mmHg 25mm Hg, and the tolerance is ±3mmHg.
流速设置范围为1L/min-40L/min，流速实时显示
The velocity is set in the range of 1L / min-40L / min, and the velocity is displayed in real time.
带流量监测，流量记录可清零
With flow monitoring, flow record can be cleared
超压有声光报警，并自动停止加气，超过设定值5mmHg自动泄压，确保患者安全
Overpressure has sound and light alarm, and stop aeration automatically, automatic pressure relief beyond the set value of 5mmHg to ensure patients safety.
带用户设定记忆功能，关机后重新开机自动记忆用户设定值
With user set memory function, save user set value automatically after shutdown.
有正常加气和快速加气两种模式
Two modes of aeration :normal aeration and rapid aeration
可提供中英文两种语言切换
English and Chinese languages are available

广泛的效率确保最佳性能:

- 宽流量范围
- 兼容的语音命令
- 内置燃气加热技术
- 可升级新的软件

Broad efficiency ensures optimal performance:

- Wide flow range
- Compatible voice commands
- Built-in gas heating technology
- Scalable new software