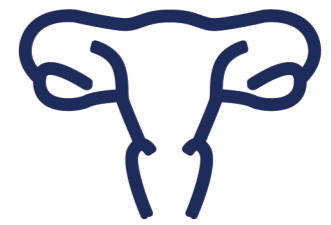


**BOLANG**  
PROFESSIONAL OPTICAL ENDOSCOPE

**GYNECOLOGICAL  
AREA OF  
TIANJIN BOLANG**



博朗科技  
妇科领域



- | 宫腔镜
- | 硬性宫腔镜手术器械
- | 妇科相关器械

**BOLANG**  
PROFESSIONAL OPTICAL ENDOSCOPE

天津博朗科技发展有限公司

地址：天津华苑产业区海泰绿色产业基地二纬路六号D座401  
邮编：300384  
电话：+86-22-23788271  
传真：+86-22-23788271  
邮箱：info@bolangendo.com  
网站：www.bolangendo.com

Tianjin Bolang Science Technology Development Co.,Ltd

Add: Rm401, Block D, Hi-tech Green Industrial Base, Xiqing District  
300384 Tianjin China  
Tel: +86-22-23787098  
Fax: +86-22-23788271  
Email: info@bolangendo.com  
Web: www.bolangendo.com



# GYNECOLOGICAL AREA OF TIANJIN BOLANG

**BOLANG**  
PROFESSIONAL OPTICAL ENDOSCOPE

**TECHNOLOGY  
CREATES  
THE FUTURE**

细节决定品质 科技铸就未来

多年以来，天津博朗科技发展有限公司专注于自主创新，在光学系统，电学及机械设计方面的综合应用开发及生产工艺方面有着丰富的经验。结合临床，了解医生所需，最大程度的减轻病人痛苦，达到客户满意是博朗一贯的宗旨。优化的设计，可靠的安全性以及方便操作的产品优点均为人所共知。

Over the years, Tianjin Bolang Science Technology Development Co., Ltd. is dedicated to independent innovation and has a wealth of experience in the development of comprehensive application and process technology, which included optical system, electricity and mechanic design. In combination with clinical, to know what the doctor needs, to minimize the pain of patients, to achieve customer satisfaction is Bolang's consistent purpose. Optimized design, reliable safety and easy-to-operate etc. are well known.

# Welcome to Gynecological area of Tianjin Bolang

## 欢迎进入博朗科技妇科领域

随着妇科内窥镜影像技术突飞猛进的发展，天津博朗科技发展有限公司始终保持不断地完善影像系统，提高器械发展质量。确保产品品质，工艺，设计精益求精，使得博朗内窥镜系统在宫腔诊断及内镜治疗领域里成为最可信赖的设备！

With the rapid development of gynecological endoscope imaging technology, Tianjin Bolang science Technology Development Co., Ltd. has been improving the image system, developing the quality of instrument constantly. Keep Improving of product quality, technology and design, Bolang endoscope is the most reliable instrument in the field of intrauterine diagnosis and endoscopic therapy.

## 妇科学目

### Table of Content:

#### 宫腔镜

##### Hysteroscope:

|             |                    |
|-------------|--------------------|
| 2.9mm 硬性宫腔镜 | 2.9mm Hysteroscope |
| 4.0mm 硬性宫腔镜 | 4.0mm Hysteroscope |

#### 宫腔镜手术器械

##### Hysteroscope Instrument:

|                  |   |
|------------------|---|
| 诊断用宫腔镜鞘          | Diagnostic Hysteroscope                       |
| 一体式操作宫腔镜         | Operative Hysteroscope -One Piece             |
| 一体式操作宫腔镜鞘        | Operative Hysteroscope Sheath -One Piece      |
| 操作用宫腔镜鞘 - 单旋转    | Operative Hysteroscope Sheath-Single Rotating |
| 操作用宫腔镜鞘 - 非旋转    | Operative Hysteroscope Sheath- Fixed          |
| 多功能手术用宫腔镜 - 德国制造 | Multifunctional Hysteroscope                  |
| 妇科腹腔镜检查术         | Single Puncture Laparoscopy                   |
| 宫腔电切镜            | Resectoscope                                  |

#### 妇科相关设备

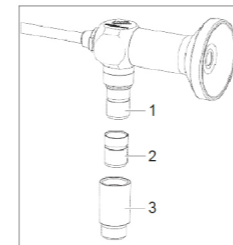
##### Related Devices:

|     |              |
|-----|--------------|
| 摄像机 | Camera       |
| 光缆  | Light Cable  |
| 光源  | Light Source |
| 气腹机 | Insufflator  |

Hysteroscope  
宫腔镜

Hysteroscope  
Instrument  
宫腔镜手术器械

Hysteroscope  
宫腔镜



CONNECTION WITH ILLUMINATION FIBER

可通配光缆

- 1.Type ACMI
- 2.Adapter type WOLF
- 3.Adapter type Storz/Olympus



★ SD<sup>1</sup>: 标清 Standard / WA<sup>1</sup>: 广角 Wide Angle

| ITEM NO           | DIAMETER | WORKING LENGTH | DIRECTION OF VIEW | FIELD OF VIEW   | TO SYSTEM                  |
|-------------------|----------|----------------|-------------------|-----------------|----------------------------|
| 序列号               | 直径       | 工作长度           | 视向角               | 视场角             | 适用系统                       |
| GQ.040.000.3020.1 | 4.0mm    | 301mm          | 0°                | SD <sup>1</sup> | Storz/<br>Wolf/<br>Olympus |
| GQ.040.012.3020.1 | 4.0mm    | 301mm          | 12°               | SD              |                            |
| GQ.040.030.3020.1 | 4.0mm    | 301mm          | 25°               | SD              |                            |
| GQ.040.045.3020.1 | 4.0mm    | 301mm          | 30°               | SD              |                            |
| GQ.040.070.3020.1 | 4.0mm    | 301mm          | 70°               | SD              |                            |
| GQ.040.000.3020.3 | 4.0mm    | 301mm          | 0°                | WA <sup>1</sup> |                            |
| GQ.040.012.3020.3 | 4.0mm    | 301mm          | 12°               | WA              |                            |
| GQ.040.030.3020.3 | 4.0mm    | 301mm          | 25°               | WA              |                            |
| GQ.040.045.3020.3 | 4.0mm    | 301mm          | 30°               | WA              |                            |
| GQ.040.070.3020.3 | 4.0mm    | 301mm          | 70°               | WA              |                            |
| GQ.030.000.3020.1 | 3.0mm    | 301mm          | 0°                | SD              |                            |
| GQ.030.012.3020.1 | 3.0mm    | 301mm          | 12°               | SD              |                            |
| GQ.030.025.3020.1 | 3.0mm    | 301mm          | 25°               | SD              |                            |
| GQ.030.030.3020.1 | 3.0mm    | 301mm          | 30°               | SD              |                            |
| GQ.030.070.3020.1 | 3.0mm    | 301mm          | 70°               | SD              |                            |
| GQ.029.000.3020.1 | 2.9mm    | 301mm          | 0°                | SD              |                            |
| GQ.029.012.3020.1 | 2.9mm    | 301mm          | 12°               | SD              |                            |
| GQ.029.025.3020.1 | 2.9mm    | 301mm          | 25°               | SD              |                            |
| GQ.029.030.3020.1 | 2.9mm    | 301mm          | 30°               | SD              |                            |
| GQ.029.070.3020.1 | 2.9mm    | 301mm          | 70°               | SD              |                            |
| GQ.027.000.3020.1 | 2.7mm    | 301mm          | 0°                | SD              |                            |
| GQ.027.012.3020.1 | 2.7mm    | 301mm          | 12°               | SD              |                            |
| GQ.027.025.3020.1 | 2.7mm    | 301mm          | 25°               | SD              |                            |
| GQ.027.030.3020.1 | 2.7mm    | 301mm          | 30°               | SD              |                            |
| GQ.027.070.3020.1 | 2.7mm    | 301mm          | 70°               | SD              |                            |

# Hysteroscopy

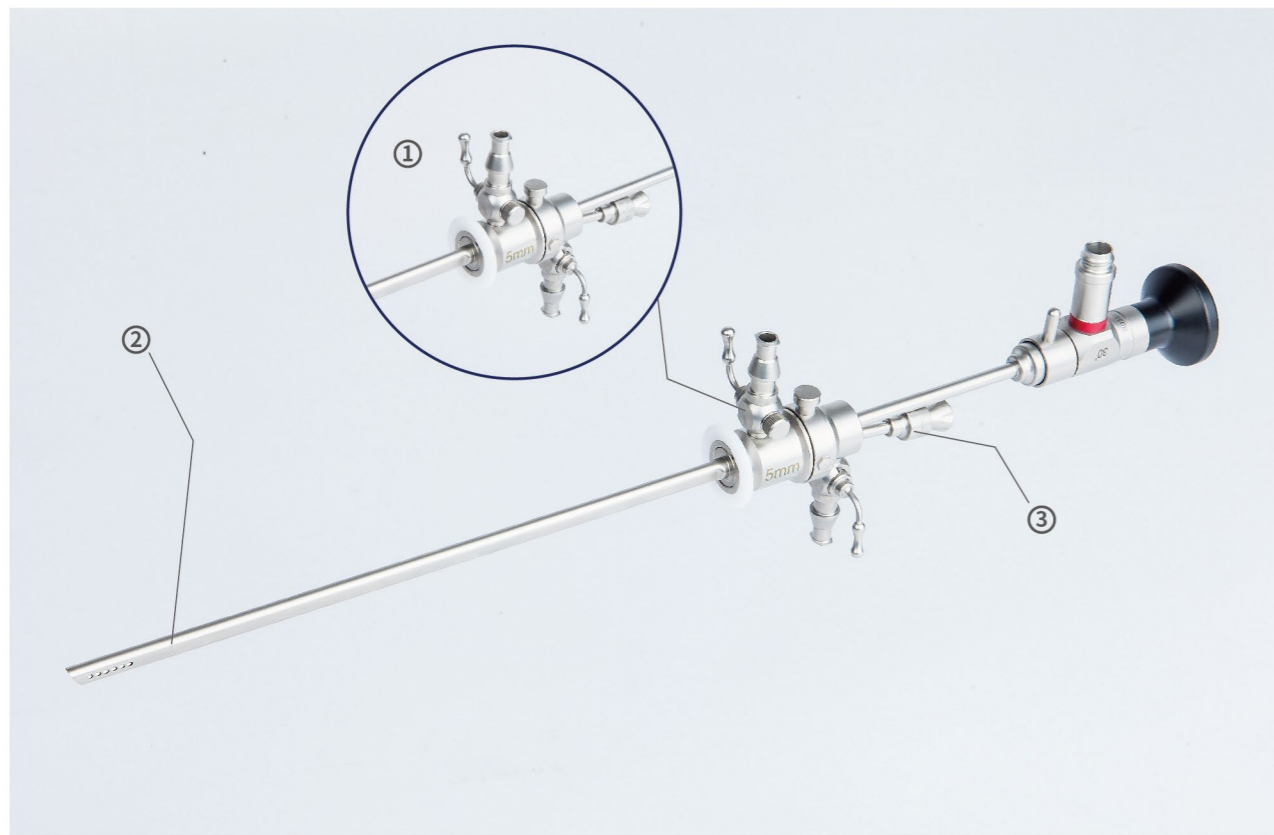
## 宫腔镜检查术

宫腔镜检查术通过人体天然孔道进入宫腔，创伤小，无血清晰，保留子宫；且可一览无余观察到整个宫腔状态，如有病变，可通过宫腔镜鞘的工作管道插入器械，进行刮宫术，活检或者宫腔镜手术。

Through the human body's natural orifice to enter the uterine cavity, with little trauma, no blood, no clarity, and keeping the womb. The state of the uterine cavity can also be observed at a glance. If there are lesions, Instrument could insert through the working channel of the hysteroscopic sheath to carry out curettage, biopsy or hysteroscopic surgery.

天津博朗宫腔镜具有纤细的外径，高流量特性及卓越的光学性能等特点，为您提供更多的宫腔镜选择。

Bolang hysteroscope with fine external diameter, high flow characteristics and excellent optical properties, to provide you with more options.



- ① 高流量特性
- ② 可提供医生符合宫颈形状的各种外鞘设计
- ③ 独特的器械通道入口设计

- ① High flow capacity
- ② Provides different external sheath designs for doctors to fit the shape of the cervix
- ③ Unique Working channel Design

# Diagnostic Hysteroscope

## 诊断用宫腔镜鞘

### 此套器械包含 Consisting of

- 持续对流操作器
- 带有半软性器械用工作通道的可操作检查鞘（可选配置）
- 冲洗阀门
- 闭孔器
- Continuous-flow operative sheath
- Operative-examination Sheath with working Channel (option)
- Irrigation valve
- Obturaor

持续对流，  
内外鞘可双向旋转360°，  
含无创末端。

Continuous-flow,  
with atraumatic distal end  
and outer sheath can  
rotate 360°

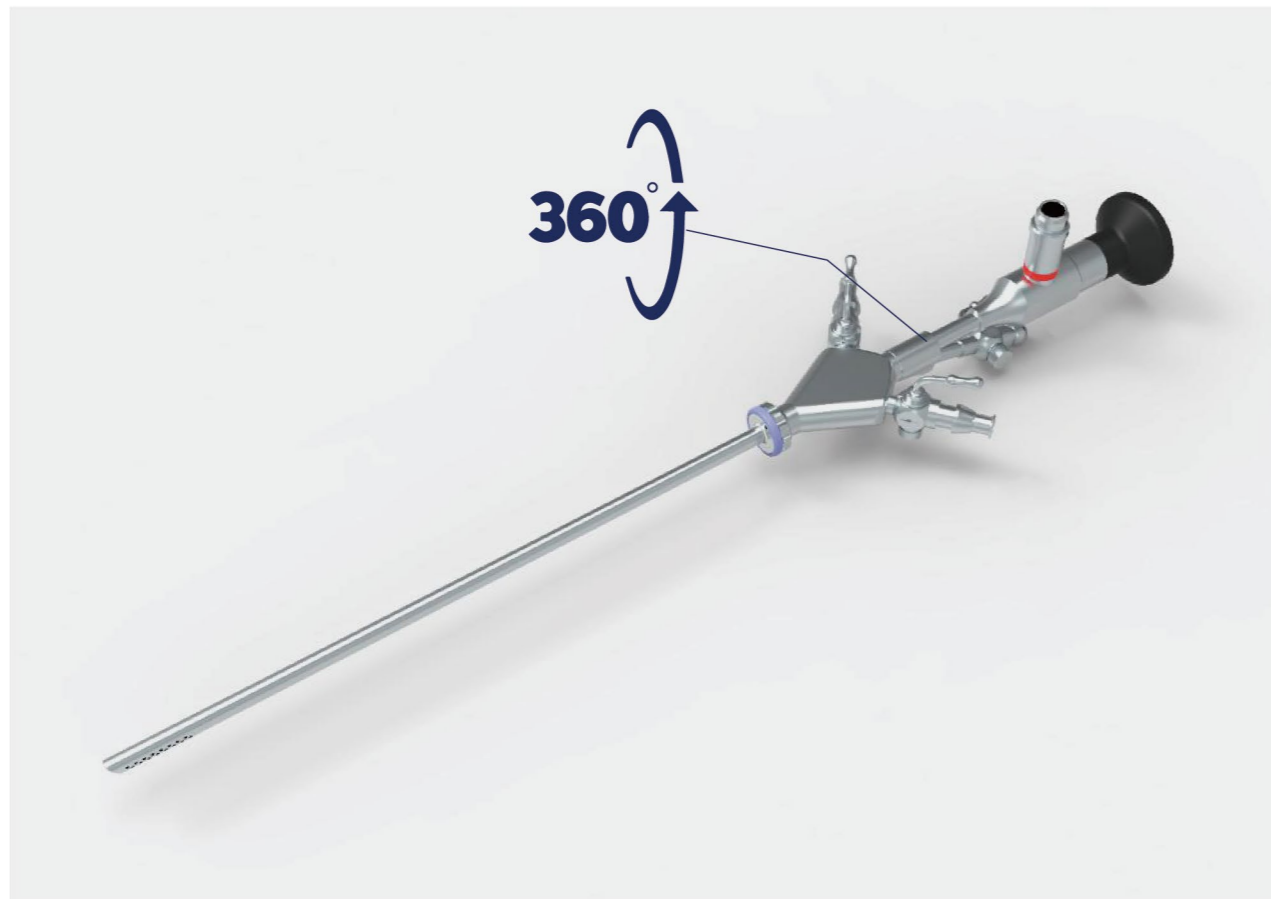


| ITEM NO         | OUTER TUBE SIZE/FR | APPLICATIVE ENDOSCOPE | WORKING CHANNEL/FR | SHEATH FORM |
|-----------------|--------------------|-----------------------|--------------------|-------------|
| 编 号             | 外部尺寸 (mm)          | 适用的内窥镜                | 工作通道               | 鞘形状         |
| FK.GQJQ.SXZ.529 | 4.8                | 2.9mm/301mm/30°       | 5Fr                | 椭圆形 Oval    |
| FK.GQJQ.SXZ.540 | 5.0                | 4.0mm/301mm/30°       | 5Fr                | 椭圆形 Oval    |
| FK.GQJQ.SXZ.729 | 5.3                | 2.9mm/301mm/30°       | 7Fr                | 椭圆形 Oval    |
| FK.GQJQ.SXZ.740 | 5.5                | 4.0mm/301mm/30°       | 7Fr                | 椭圆形 Oval    |

# Operative Hysteroscope- One Piece

## 一体式操作宫腔镜

- 持续对流, 含无创末端, 与内窥镜联体设计, 高流量特性。
- 可保护镜子不易受损。
- 医生易操作, 无需反复拆卸。
- 可360°旋转, 避免宫颈口损伤, 防止水路管缠绕。
- Continuous-flow, with atraumatic distal end. High flow capacity due to conjoined design with endoscope.
- Protect Hysteroscope from damage
- Easy to operate, without repeated disassembly
- 360°rotatable, avoid the injury of cervix and prevent the winding of tube.



| ITEM NO   | OUTER TUBE SIZE/FR | APPLICATIVE ENDOSCOPE | WORKING CHANNEL/FR. | SHEATH FORM |
|-----------|--------------------|-----------------------|---------------------|-------------|
| 编号        | 外部尺寸               | 适用的内窥镜                | 工作通道                | 鞘形状         |
| GQ.YTJ155 | 15Fr               | 30°SD/SDWA            | 5                   | 椭圆形 Oval    |
| GQ.YTJ167 | 16Fr               | 30°SD/SDWA            | 7                   | 椭圆形 Oval    |

# Operative Hysteroscope Sheath -One Piece

## 一体式操作宫腔镜鞘

- 持续对流, 含无创末端, 一体式设计, 高流量特性。
- 可360°旋转, 避免宫颈口损伤, 防止水路管缠绕。(可选配置)
- Continuous-flow, with atraumatic distal end. High flow capacity due to one-piece design
- 360°rotatable, avoid the injury of cervix and prevent the winding of tube. (option)



博朗公司不仅有与内窥镜联体设计的一体式操作宫腔镜, 也可提供独立分开的一体式操作宫腔镜鞘。

Bolang not only has integrated operative design with endoscope, but also has an independent, separate, One-Piece Operative hysteroscope sheath.

| ITEM NO     | OUTER TUBE SIZE/FR | APPLICATIVE ENDOSCOPE | WORKING CHANNEL/FR. | SHEATH FORM    |
|-------------|--------------------|-----------------------|---------------------|----------------|
| 编号          | 外部尺寸               | 适用的内窥镜                | 工作通道                | 鞘形状            |
| FK.GQJQ.YTS | 14.5Fr             | 2.7mm/301/30°         | 7                   | Drop-Shape 水滴形 |
|             | 16Fr               | 2.9mm/301/30°         | 7                   | Drop-Shape 水滴形 |

# Operative Hysterosocpe Sheath-Single Rotating

## 操作作用宫腔镜鞘 - 单旋转

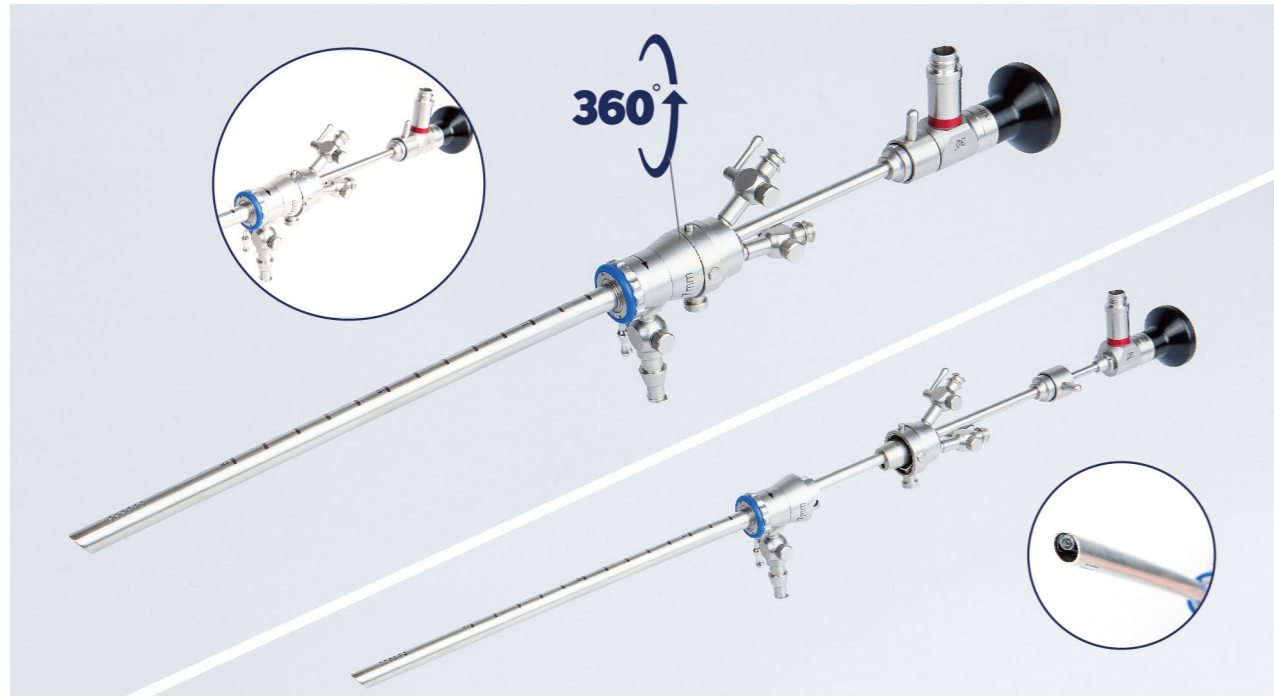
此套器械包含  
Consisting of

- 持续对流操作器
- 带有半软性器械用工作通道的可操作检查鞘
- 冲洗阀门
- 闭孔器
- Continuous-flow operative sheath
- Operative-examination Sheath with working Channel
- Irrigation valve
- Obturaor

360°

持续对流，  
含无创末端，  
外鞘可旋转360°

Continuous-flow, with atraumatic distal end and outer sheath can rotate 360°



| ITEM NO         | OUTER TUBE SIZE/FR | APPLICATIVE ENDOSCOPE | WORKING CHANNEL/FR | SHEATH FORM |
|-----------------|--------------------|-----------------------|--------------------|-------------|
| 编号              | 外部尺寸               | 适用的内窥镜                | 工作通道               | 鞘形状         |
| FK.GQJQ.DXZ.227 | 22                 | 4mm/301mm/30°         | 7                  | 椭圆形 Oval    |
| FK.GQJQ.DXZ.155 | 14.5               | 2.7mm/301mm/30°       | 5                  | 椭圆形 Oval    |
|                 | 16                 | 2.9mm/301mm/30°       | 5                  | 椭圆形 Oval    |

# Operative Hysterosocpe Sheath- Fixed

## 操作作用宫腔镜鞘 - 非旋转

持续对流，含无创末端。独特的器械通道入口设计不易因勿操作而导致漏水或器械损坏

Continuous-flow, with atraumatic distal end. Unique instrument channel design prevent forceps from misoperation and avoid leakage effectively.

此套器械包含  
Consisting of

- 持续对流操作器
- 带有半软性器械用工作通道的可操作检查鞘
- 冲洗阀门

- Continuous-flow operative sheath
- Operative-examination Sheath with working Channel
- Irrigation valve



| ITEM NO | OUTER TUBE SIZE/FR | APPLICATIVE ENDOSCOPE | WORKING CHANNEL/FR. | SHEATH FORM    |
|---------|--------------------|-----------------------|---------------------|----------------|
| 编号      | 外部尺寸               | 适用的内窥镜                | 工作通道                | 鞘形状            |
|         | 14.5Fr             | 2.7mm/301/30°         | 5                   | 水滴形 Drop-Shape |
|         | 16Fr               | 2.9mm/301/30°         | 5                   | 水滴形 Drop-Shape |

# Multifunctional Hysteroscope

## 多功能手术用宫腔镜 德国制造

可通过平行目镜的内镜的直形工作通道引入器械

Through a straight working channel of a telescope with parallel eyepiece



- 持续对流, 含无创末端, 高流量特性。
- 器械通道入口处的独特设计, 不会因误操作漏水
- 可360°旋转, 避免宫颈口损伤, 防止水路管缠绕, 为医生操作带来便利。
- 外鞘与电切镜外鞘通用, 节省使用成本。

- Continuous-flow, with atraumatic distal end. High flow capacity design
- Unique design of instrument channel, avoid leakage from misoperation
- 360°rotatable, avoid the injury of cervix and prevent the winding of tube, facilitates the usage for doctors.
- Outer sheath compatible with Resectoscope, cost saving.



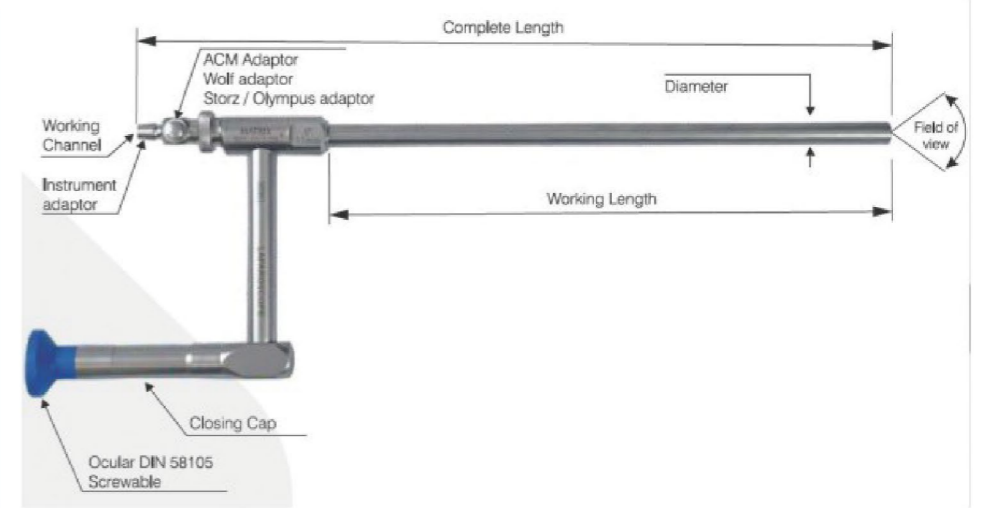
| ITEM NO | OUTER TUBE SIZE/FR | APPLICATIVE ENDOSCOPE | WORKING LENGTH/MM | WORKING CHANNEL/FR. |
|---------|--------------------|-----------------------|-------------------|---------------------|
| 编号      | 外部尺寸               | 适用的内窥镜                | 工作长度              | 工作通道                |
| ZJPG    | 9(26Fr)            | 301mm/20°             | 185               | 14                  |

# Single Puncture Laparoscope

## 妇科腹腔镜检查术

带有鲁尔锁扣连接的  
手术用腹腔镜

Single Puncture Laparoscope - with HD optical design system to provide brilliant and wide angle image for the users



| ITEM NO        | Ø MM | WORKING LENGTH MM | WORKING CHANNEL MM | DIRECTION OF VIEW | FIELD OF VIEW |
|----------------|------|-------------------|--------------------|-------------------|---------------|
| 序列号            | 直径   | 工作长度mm            | 工作管道mm             | 视野方向              | 视场角度          |
| ZJFQ.110.270.2 | 11   | 270               | 6mm                | 0°                | HD            |



# Resectoscope

## 宫腔电切镜



可360°旋转内鞘,内外鞘易连接  
360°rotatable; Easy to connect Inner Sheath and Outer Sheath

独特的设计减少宫颈口损伤  
Unique Design reduces Risk of Injury

高流量特性  
Higher Flow

单双极一体设计  
Monopolar and Bipolar in One Unit

相较于传统电切镜设计相比, 博朗电切镜设计既为患者降低了损伤风险, 又方便了医生的使用。

Compared with the traditional design, BOLANG resectoscope not only reduces the risk of injury, but also facilitates the operation for doctors.

**电切镜工作手件** Resectoscope Working Element

| PRODUCT<br>规格<br>SPECIFICATION | WORKING ELEMENT                      |                |              |                |                         |              |
|--------------------------------|--------------------------------------|----------------|--------------|----------------|-------------------------|--------------|
|                                | 主动式 ACTIVE                           |                | 被动式 PASSIVE  |                | 独立手柄 INDEPENDENT HANDLE |              |
|                                | 单双极一体式手件 MONOPOLAR&BIPOLAR ONE-PIECE |                |              |                | 双极手件 BIPOLAR            |              |
| 参考图片<br>REFERENCE PICTURE      | METAL HANDLE                         | PLASTIC HANDLE | METAL HANDLE | PLASTIC HANDLE | ACTIVE                  | GYRUS ACTIVE |
| ITEM NO.                       | DQ.SJZD.M                            | DQ.SJZD.M.P    | DQ.SJBD.M    | DQ.SJBD.P      | DQ.SJDL                 | DQ.SJL       |

**持续灌流的外鞘，内鞘及标准闭孔器** Continuous-flow operative sheath, inner sheath and standard obturator

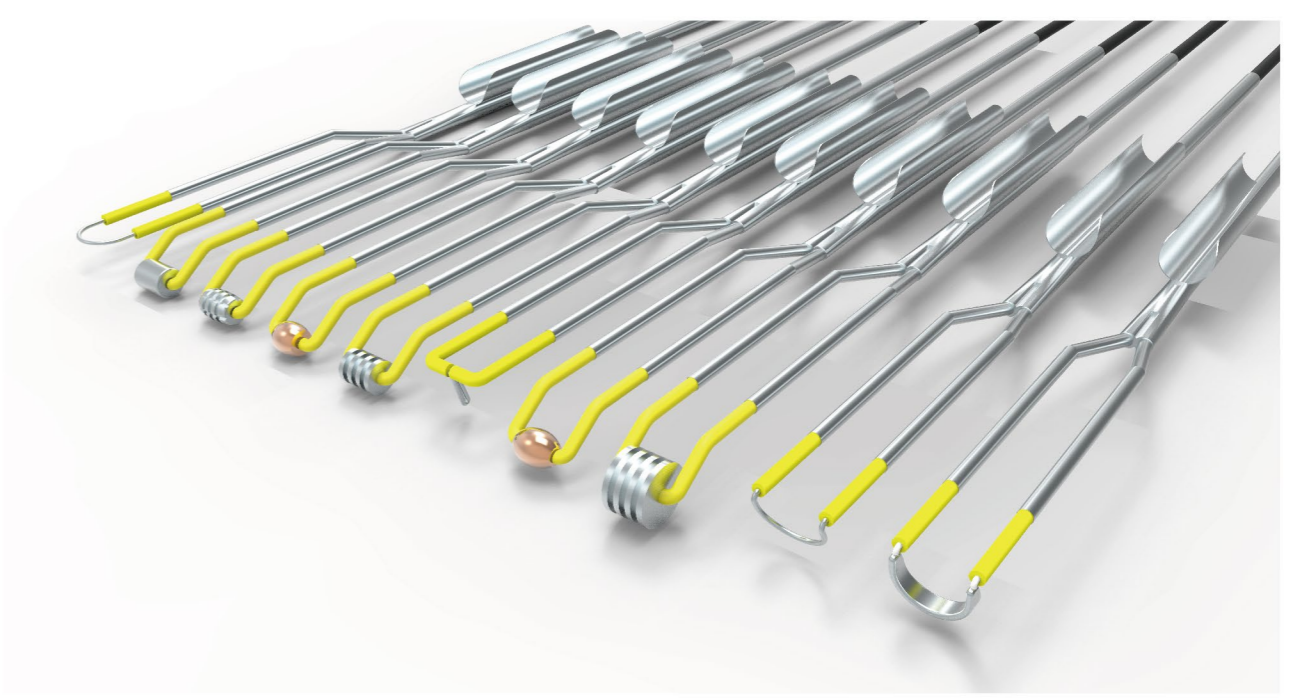


| ITEM NO<br>系列号 | PRODUCT<br>产品                 | SPECIFICATION<br>规格            | REFERENCE PICTURE<br>参考图片 |
|----------------|-------------------------------|--------------------------------|---------------------------|
| DQ.NQ          | 内鞘<br>Inner Sheath            | 24Fr or 22Fr                   |                           |
| DQ.WQ          | 外鞘<br>Outer Sheath            | 26Fr or 24Fr                   |                           |
| DQ.BKQ.BZ      | 标准闭孔器<br>Standard Obturator   |                                |                           |
| DQ.BKQ.DX      | 导向闭孔器<br>Deflecting Obturator |                                |                           |
| DQ.KSBKQ.QX    | 可视闭孔器<br>Visible Obturator    | 带有器械通道<br>With Working Channel |                           |

| ITEM NO<br>系列号 | PRODUCT<br>产品   | SPECIFICATION<br>规格  | REFERENCE PICTURE<br>参考图片 |
|----------------|---|--|---------------------------|
| MN.0009.6      | 内鞘适配器<br>Rotatable Irrigation Adapter - with luer connector with stopcock | 当病人尿道狭窄时，可使用内鞘适配器直接与内鞘连接<br>When urethra of patient is small, Inner Sheath Adapter could be: Instead of outer sheath, connect with inner sheath directly |                           |
| MN.0012        | 水接阀<br>Water Flow Connector   | 鲁尔接头，带控制阀门<br>Luer-Lock Tube Connector, with stopcock  |                           |

**Loop 电极环**

| ITEM NO. /24 FR<br>序列号 | LOOP<br>电切环                             |
|------------------------|---|
| DQH.D.P                | Electrode-single stem - cutting         |
| DQH.D.T                | Electrode-single stem - special type    |
| DQH.S.P                | Electrode - double stem - standard type |
| DQH.S.T                | Electrode - double stem - special type  |
| DQH.JL                 | Gyrus Style Loop                        |



# HF CABLE 高频线

单极高频线 Monopolar HF Cable



ITEM NO DQ.D.GPDX

双极高频线 Bipolar HF Cable



ITEM NO DQ.S.GPDX

# INSTRUMENT 手术器械



抓取钳 Grasper Forceps



活检钳 Biopsy Forceps



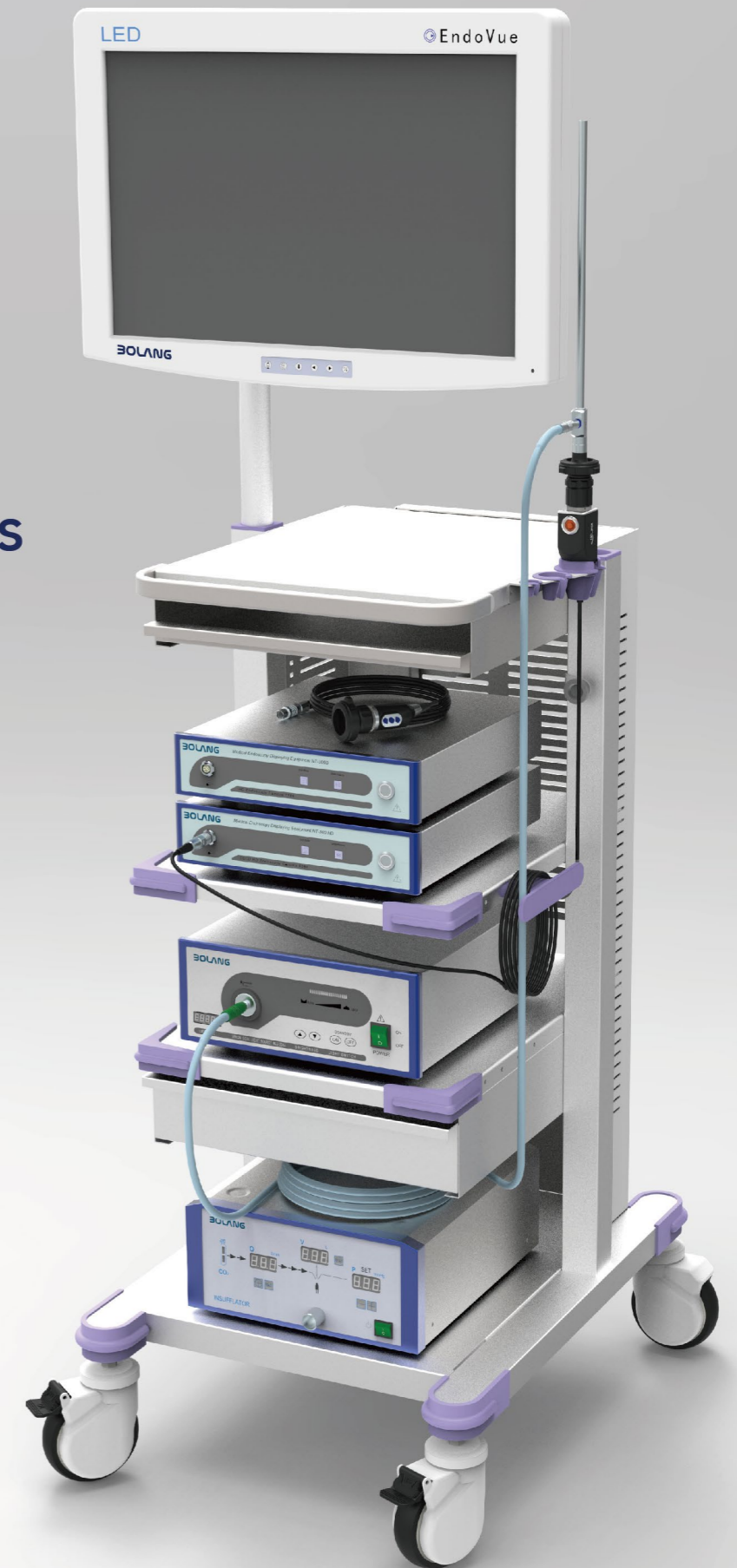
异物钳 Foreign body Forceps



剪刀 Scissors

| ITEM NO 序列号 | SPECIFICATION 规格         | SIZE 尺寸 |
|-------------|--------------------------|---------|
|             | RIGID FORCEPS 硬钳         |         |
| FK.5RFA     | 活检钳 Biopsy Forceps       | 5Fr     |
| FK.5RFB     | 异物钳 Foreign body Forceps | 5Fr     |
| FK.5RFC     | 剪刀 Scissors              | 5Fr     |
| FK.5RFD     | 抓取钳 Grasper Forceps      | 5Fr     |

# Related Devices 相关电气设备



Related Devices  
妇科相关设备

Image System  
显像系统

# Camera 摄像机

NT-300HD是最新版本高清内窥镜摄像机，它能输出最清晰的画质。高分辨率且带有逐行扫描功能，可提供最清晰的细节和无与伦比的自然色彩，即使在组织中最细微的变化都可清晰分辨出来，尽可能的辅助医生提高执行微创手术的能力。

★  
此外，天津博朗还提供其他配置摄像机，详情请参阅电气设备彩页。

NT-300HD, is the latest version of a HD endoscope camera, delivers the clearest image quality. High resolution and progressing scan features provide the clearest detail and unparalleled natural color, even the smallest changes in the tissue can be clearly identified, as much as possible to assist the doctor to improve the ability to perform minimally invasive surgery.

Additionally, Tianjin Bolang also provides other configuration cameras. For details, please refer to the electrical equipment catalog.



摄像头光学适配器  
Camera Optic Couplor



摄像头定焦适配器  
Camera Optic Couplor  
with fixed - focus, F18,  
F20, F22, F25, F28, F32, F35



摄像头变焦适配器  
Camera Optic Couplor  
with zoom, F18-F35

| 型号Model                                       | NT-300HD   |
|---|--|
| 输出像素Output pixels                             | 1920 (H) x 1080 (V)  |
| 影像传感器Image sensor                             | 1/3 Inch   |
| 使用预设置Working modes (User settings)            | 5 users or modes   |
| 输出Digital Video output                        | 2 x 3G-SDI / HD-SDI (OPTIONAL)<br>2 x DVI on DVI-D Connector |
| 电压Main voltage V                              | 100 - 120 / 200 - 240  |
| 频率Main frequency Hz                           | 50/60  |
| 摄像头等级Classification of camera head            | BF   |
| 摄像头尺寸Dimensions of camera head                | 34 × 42 × 58 mm  |
| 适配器接口Interface for connecting adapter ( Lens) | C型接口Standard C mount   |
| 缆线长度Length of camera cable                    | 3 m  |
| 重量Weight (without camera cable and plug)      | 90 g   |
| 摄像机尺寸Dimension                                | 325 × 74 × 365 mm  |
| 摄像机重量Weight                                   | 5.1 kg   |

# LED Light Source

## LED 光源



博朗LED光源具有极高的效率和寿命时间。替代150瓦和250瓦卤素灯，超常的使用寿命时间（大于50000小时）使LED光源成为最具成本效益的照明装置，并且事实上不再需要更换灯泡。

工作模式下这款机器几乎没有任何声响，光源产生噪音不超过30dB,比传统光源机器安静四倍，为医生手术带来舒适的操作环境，减少干扰。

Bolang LED light source has high efficiency and lifetime. Instead of 150-watt and 250-watt halogen lamps, the exceptional lifetime (more than 50000 hours) makes the LED light source the most cost-effective lighting device and virtually no longer needs to be replaced.

In working mode, the machine has almost no sound. The noise generated by the light source is no more than 30 dB, which is four times quieter than the traditional light source machine. It provides a comfortable operating environment for doctors and reduces interference.

- 照明亮度堪比250瓦卤素灯
- 超长工作时间，减少因灯泡等原因造成的突发情况
- 工作声音极低，噪音不超过30dB
- 色温不会因光亮的减弱或LED灯泡老化而改变，保持始终如一的视物视觉
- Illumination is as bright as 250 watt halogen lamps.
- Unparalleled long life time of LED Lamp, reduce contingencies caused by light bulbs, etc.
- Super Silent, Noise not exceeding 30 dB, low operational cost
- Consistent color temperature when dimming, maintaining consistent visual vision

| 灯泡 LAMP  |                                  |
|--|----------------------------------|
| 类型 Type:   | LED                              |
| 色温 Color Temperature:  | 约6500Kelvin    Approx 6500Kelvin |
| 灯泡平均使用寿命 Average lamp life   | 约50000h    Approx 50000h         |
| 光通量 Luminous FLux  | 800lm                            |
| 控制面板 CONTROL PANEL   |                                  |
| 控制面板带有LED灯指示开关按钮，调节光强度上下箭头按钮<br>Control panel with LED light indicator switch button, and up and down arrow buttons adjust light intensity |                                  |
| 兼容Storz, Olympus,Wolf和ACMI公司产品的导光束插口<br>Light Cable socket compatible with Storz, Olympus,Wolf and ACMI .                                  |                                  |
| 连通性: 总线接口<br>Connectivity: bus interface   |                                  |
| 光源电压及功率Voltage and Power 220V AC, 50Hz, 100W   |                                  |

# Xenon Light Source

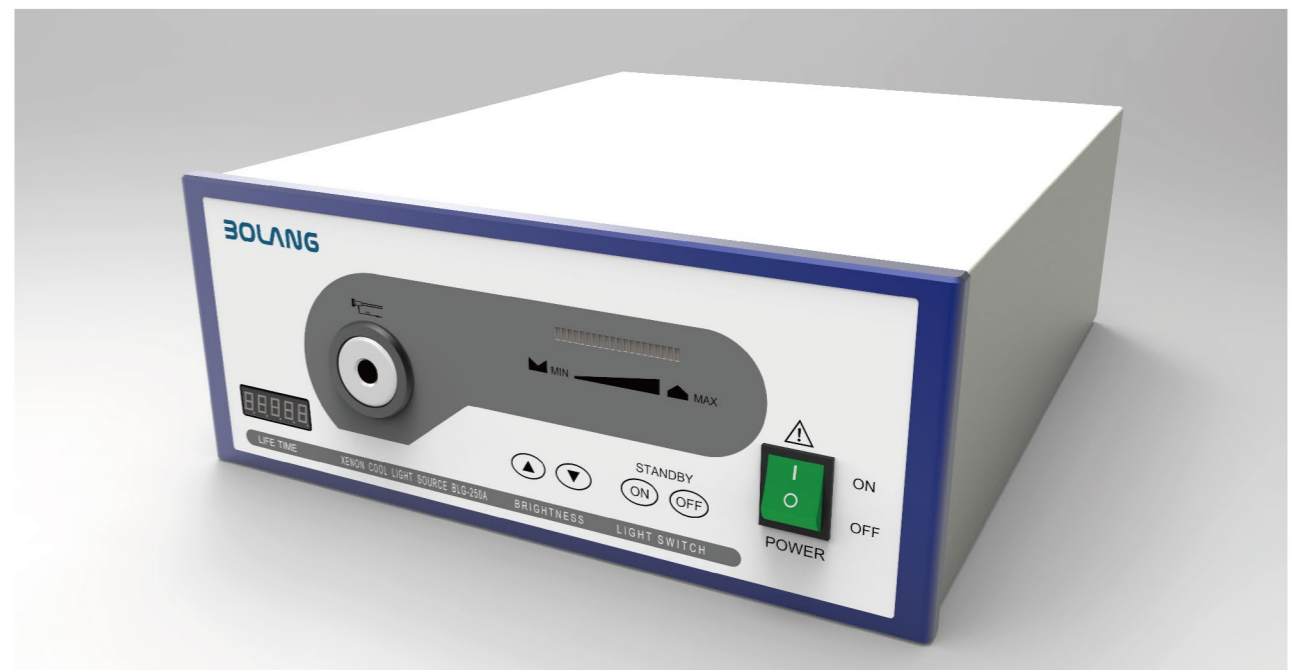
## 氙灯光源

### 250W

适用于各种应用和需要的250W氙灯光源，带有用来调节光线强弱的上下箭头及开关按钮。

250 W Xenon lamp light source is suitable for all applications and needs, with up and down button to adjust the light intensity.

| 灯泡 LAMP   |  |
|---|--|
| 类型 Type:  | Xenon                                    |
| 色温 Color Temperature:   | 约3000-7000Kelvin/Approx 3000-7000 Kelvin |
| 光通量 Luminous FLux:  | 750lm                                    |
| 控制面板 CONTROL PANEL  |  |
| 控制面板带有调节光强度上下箭头按钮<br>Control panel with up and down button to adjust the light intensity.                 |  |
| 兼容Storz, Olympus,Wolf和ACMI公司产品的导光束插口<br>Light Cable socket compatible with Storz, Olympus,Wolf and ACMI . |  |
| 连通性: 总线接口<br>Connectivity: bus interface  |  |
| 光源电压及功率Voltage and Power 220V AC, 50Hz, 470VA   |  |



# Portable LED Light Source

## LED 便携式光源

诊断用高亮度便携式光源，小巧可手持，方便携带使用。适用于博朗所有内窥镜，并配有电池及充电器。

High-bright portable light source for diagnostic purpose, small handheld, easy to carry and use. For all Bolang endoscopes, with battery and charger.



# Light cable 导光束

导光束照明亮度一致，可高温高压，且带有颜色代码，可方便区分，存放。并可配有STORZ/WOLF/OLYMPUS导光束适配器。

Uniform illumination and autoclavable, with color code, can be easily distinguished, stored, and with STORZ/WOLF/OLYMPUS adapter.

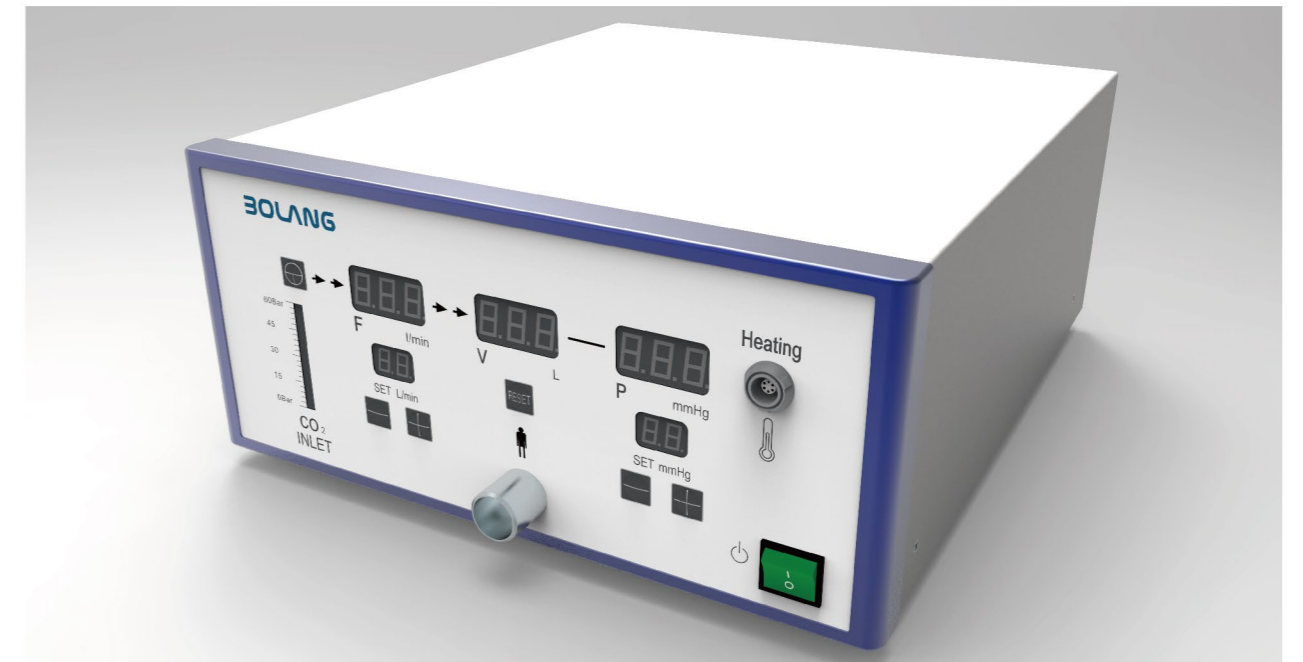


| ITEM NO | LENGTH | DIAMETER | COLOR CODE |
|---------|--------|----------|------------|
| 型号      | 长度     | 直径       | 颜色代码       |
| JS20DD  | 2.0m   | 5.0mm    | 蓝色 Blue    |
| JS25DD  | 2.5m   | 5.0mm    | 红色 Red     |
| JS30DD  | 3.0m   | 5.0mm    | 绿色 Green   |

# Insufflator 气腹机

该气腹机结合了卓越的性能和安全性。在腹腔镜手术过程中，即使极端条件下，气腹机仍可保持气腹的可靠性。在新生儿模式下，它可增加针对儿科患者的敏感性。

The insufflator combines excellent performance and safety. During laparoscopic surgery, insufflator can maintain the reliability of pneumoperitoneum even under extreme conditions. In neonatal mode, it increases sensitivity to paediatric patients.



|                 |  |
|-----------------|--|
| 电压 Voltage      | 交流220V AC 220V                           |
| 频率 Frequency    | 50HZ                                     |
| 功率 Power        | 50W                                      |
| 电源 Power Supply | 750lm 允差-10% 750lm allowance factor -10% |

进气压力范围广，从0.1MPa-1MPa均能正常工作  
The inlet pressure range is wide and can work normally from 0.1MPa-1MPa  
开机自检，可监测钢瓶压力，并能自动排空管道内空  
It can monitor cylinder pressure and empty the pipe automatically.  
气压的设定范围为5mmHg-25mmHg，显示允差为±3mmHg  
The pressure is set in the range of 5mmHg 25mm Hg, and the tolerance is ±3mmHg.  
流速设置范围为1L/min-40L/min，流速实时显示  
The velocity is set in the range of 1L / min-40L / min, and the velocity is displayed in real time.  
带流量监测，流量记录可清零  
With flow monitoring, flow record can be cleared  
超压有声光报警，并自动停止加气，超过设定值5mmHg自动泄压，确保患者安全  
Overpressure has sound and light alarm, and stop aeration automatically, automatic pressure relief beyond the set value of 5mmHg to ensure patients safety.  
带用户设定记忆功能，关机后重新开机自动记忆用户设定值  
With user set memory function, save user set value automatically after shutdown.  
有正常加气和快速加气两种模式  
Two modes of aeration :normal aeration and rapid aeration  
可提供中英文两种语言切换  
English and Chinese languages are available

### 广泛的效率确保最佳性能:

- 宽流量范围
- 兼容的语音命令
- 内置燃气加热技术
- 可升级新的软件

### Broad efficiency ensures optimal performance:

- Wide flow range
- Compatible voice commands
- Built-in gas heating technology
- Scalable new software